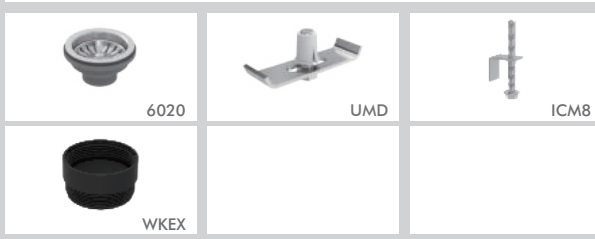




Model Code: MOA420D

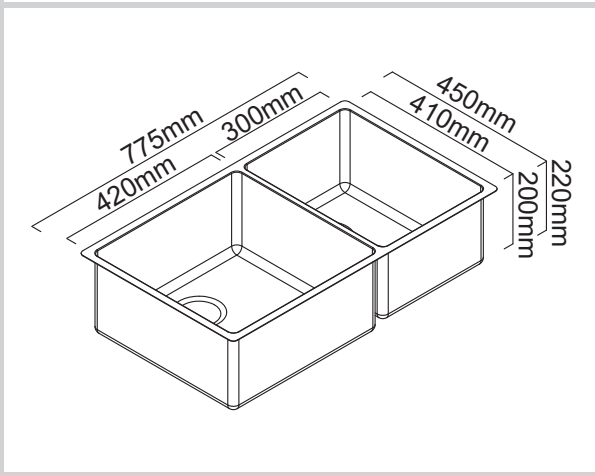
Included Accessories



Optional Accessories



Dimensions



Specifications

Description	One and 3/4 Bowl, Inset/ Undermount Sink
Overall Sink Size	775mm x 450mm x 220mm deep
Bowl Dimensions	420mm x 410mm x 220mm deep 300mm x 410mm x 200mm deep
Drainer Length	N/A
Technic	Fabrication
Material	1mm Stainless steel SUS304

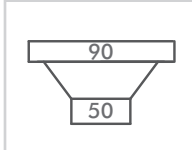
Installation

Fixings	Inset & Undermount clips supplied
Template	N/A
Min Cabinet Size	800mm
Waste Holes	2 x 90mm round Compatible with waste disposal

SURFACE FINISH



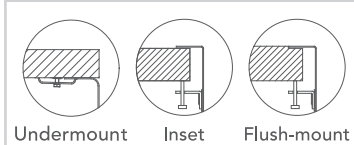
WASTE KIT



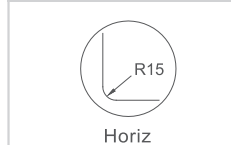
MATERIAL



INSTALLATION OPTIONS



PROFILE



Plumbing

Waste Fittings	2 x (90mm x 2") basket waste included
----------------	---------------------------------------

Packaging

Carton Type	Eco packaging & Individual carton
Gross Weight	11.5Kg
Carton Size	845mm x 330mm x 545mm
Pack QTY	1

Abey are Australia's leaders in sinkware, designing and manufacturing to the world's highest quality specifications as well as sourcing and bringing you Europe's very best, leading edge designs – practical, affordable, inspirational, stylish, timeless or cutting edge. When you buy an Abey stainless steel sink you receive the highest quality and a 25 year warranty. Abey and the manufacturer are continually seeking ways to improve the design specifications, aesthetic and production techniques of the products. As a result, alterations to the specifications and dimensions of the products and designs occur continually.