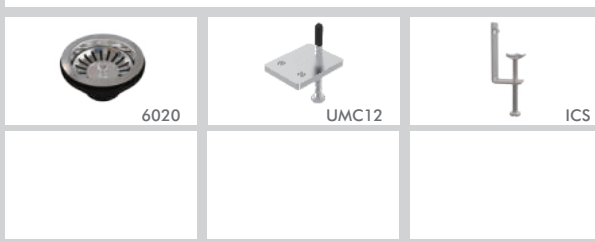




Model Code: ST340DU

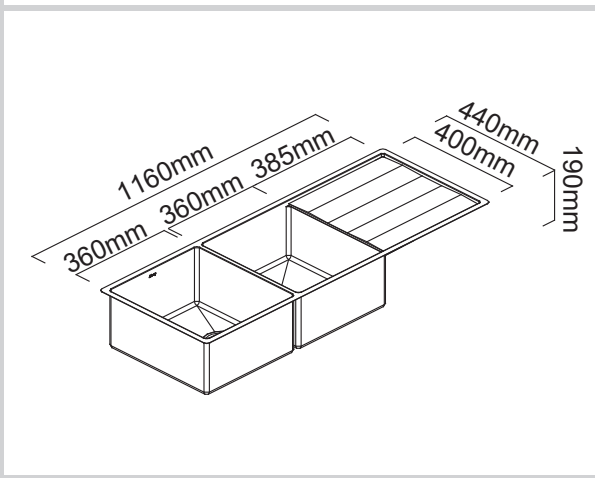
Included Accessories



Optional Accessories



Dimensions



Specifications

Description	Double bowl sink with drainer
Overall Sink Size	1160mm x 440mm x 190mm deep
Bowl Dimensions	360mm x 400mm x 190mm deep 360mm x 400mm x 190mm deep
Drainer Length	385mm
Technic	Fabrication
Material	Stainless steel SUS304

Installation

Fixings	Undermount and Inset clips supplied
Template	N/A
Min Cabinet Size	800mm
Waste Holes	2 x 90mm square Compatible with waste disposal

Plumbing

Waste Fittings	2 x (90mm x 2") basket wastes included
Overflow	N/A

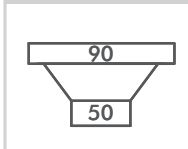
Packaging

Carton Type	EPS protection & individual carton
Gross Weight	12.95Kg
Carton Size	1240mm x 290mm x 535mm
Pack QTY	1

SURFACE FINISH



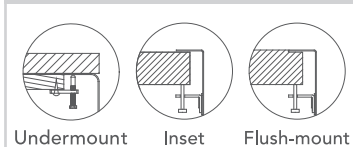
WASTE KIT



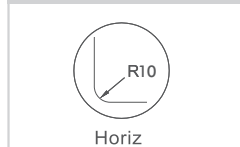
MATERIAL



INSTALLATION OPTIONS



PROFILE



Abey are Australia's leaders in sinkware, designing and manufacturing to the world's highest quality specifications as well as sourcing and bringing you Europe's very best, leading edge designs – practical, affordable, inspirational, stylish, timeless or cutting edge. When you buy an Abey stainless steel sink you receive the highest quality and a 25 year warranty. Abey and the manufacturer are continually seeking ways to improve the design specifications, aesthetic and production techniques of the products. As a result, alterations to the specifications and dimensions of the products and designs occur continually.