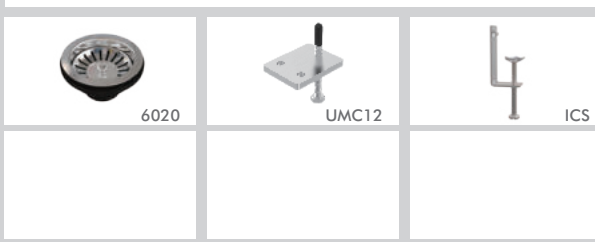




Model Code: ST460SU

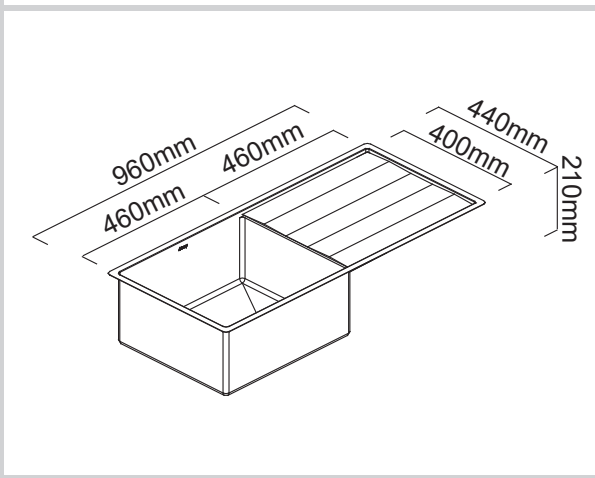
Included Accessories



Optional Accessories



Dimensions



Specifications

Description	Double bowl sink with drainer
Overall Sink Size	960mm x 440mm x 210mm deep
Bowl Dimensions	460mm x 400mm x 210mm deep
Drainer Length	460mm
Technic	Fabrication
Material	Stainless steel SUS304

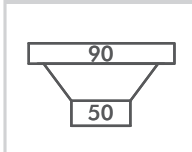
Installation

Fixings	Undermount and Inset clips supplied
Template	N/A
Min Cabinet Size	600mm
Waste Holes	1 x 90mm square Compatible with waste disposal

SURFACE FINISH



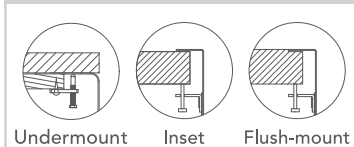
WASTE KIT



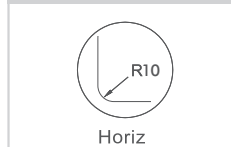
MATERIAL



INSTALLATION OPTIONS



PROFILE



Plumbing

Waste Fittings	1 x (90mm x 2") basket waste included
Overflow	N/A

Packaging

Carton Type	EPS protection & individual carton
Gross Weight	9.86Kg
Carton Size	1040mm x 290mm x 535mm
Pack QTY	1

Abey are Australia's leaders in sinkware, designing and manufacturing to the world's highest quality specifications as well as sourcing and bringing you Europe's very best, leading edge designs – practical, affordable, inspirational, stylish, timeless or cutting edge. When you buy an Abey stainless steel sink you receive the highest quality and a 25 year warranty. Abey and the manufacturer are continually seeking ways to improve the design specifications, aesthetic and production techniques of the products. As a result, alterations to the specifications and dimensions of the products and designs occur continually.