

The AEG 9000X AbsoluteCare Pro Tumble Dryer features a 10-star energy rating. 3D-Scan technology ensures precise, even drying for all fabrics - while preserving their quality. Choose between Time Save and Energy Save modes to optimise performance, and the Woolmark Green certification guarantees safe machine washing for woollens. Hygiene cycle that eliminates 99.9% of bacteria and viruses, MixDry for effortless mixed-load drying, and smart connectivity via the AEG app.

RRP AUS \$2,999.00



Product Details

FEATURES

10-star energy rating

Discover AEG's dryer with a remarkable 10-star energy rating, Optimized for energy efficiency.

3DScan

3D-Scan technology ensures expert protection and precise drying, from delicates to duvets.

AEGConnected

Connected and customised drying made easy and smart with the AEG App.

Hygiene

The Hygiene cycle eliminates more than 99.9% of common bacteria and viruses* while drying. Tested for Escherichia coli ATCC 11229, Candida albicans ATCC 10231, MS2 Bacteriophage DSM 13767 in external test performed by Swissatest Testmaterialien AG in 2021 (Test Report No. 20212038).

MixDry

No sorting. Less effort. Dry cottons and synthetics together with MixDry.

Woolmark Green Certification

Woolmark Green certification ensures safe, gentle wool care with water and energy efficiency.

EffortlessDry

EffortlessDry saves up to 30 minutes or up to 15% of energy when drying*. *Internally tested on Cottons cycle at full load.

AbsoluteCare Pro

BENEFITS

Leading 10-Star energy rating

AEG has achieved an unprecedented 10-star energy rating with the 9000X AbsoluteCare Pro Tumble Dryer. Experience exceptional energy efficiency with heat pump technology which recycles hot air to significantly decrease energy consumption. Improved airflow and insulation reduce heat loss, while moisture sensors and intuitive dryer software programs automatically adjust cycles to further optimize your energy usage.

THE PRECISION DRYING EXPERT

The AEG heat pump dryer combines precision drying with expert protection. 3D-Scan technology scans deep into fabrics to measure humidity and moisture, and automatically adjusts the settings and time to deliver precise, even drying. Ensure quilts and puffer jackets are evenly dried and remain fluffy to keep you warm, while assisting your favourite silks and woollens to retain their shape and feel.

REMOVES BACTERIA AND VIRUSES*

The Swissatest-certified Hygiene cycle runs above 60C, sanitising items to remove up to 99.9% of common bacteria and viruses* ideal for drying bedlinen, duvets, and pillows.

*Tested for Escherichia coli ATCC 11229, Candida albicans ATCC 10231, MS2 Bacteriophage DSM 13767 in external test performed by Swissatest Testmaterialien AG in 2021 (Test Report No. 20212038).

Efficient woolen care

Woolmark Green certification ensures safe, gentle wool care with water and energy efficiency

SAVE TIME OR ENERGY WITHOUT COMPROMISING

Save time or energy without compromising on drying performance with AEG Drying Technology. When comparing the 2 save modes, you can opt for Time Save to trim 30 minutes off your cycle or Energy Save to achieve a 15% reduction in energy consumption*. *Internally tested on Cottons cycle at full load.

Exceptional Drying Care

AbsoluteCare Pro Dryer provides the exceptional drying care. Saving time and energy.

Specifications

PRODUCT PROFILE

Dryer Type	heat pump
Capacity (Kg)	9
Wall mount option	no

DIMENSIONS

Total height (mm)	850
Total width (mm)	596
Total depth (mm)	657

CONTROLS

Type of controls	rotary, Touch button
Type of display	LED
Fabric type selection	cotton, synthetics, wool, delicate, normal

BUTTON FUNCTIONS

Functions	power/on/off, Start/Pause, time save, Dryness Level, Extra Anticrease, Remote, Finish In, Time Dry, Slient, SyncDry
-----------	---

DRYING PROGRAMS

Drying Programs	Cotton, Synthetic, Delicate, Duvet, outdoor, Wool, MixDry, Bedlinen XL, Hygiene, Quick 3kg
-----------------	--

DOOR

Dryer Door colour	black
-------------------	-------

CABINET

TECHNICAL

CABINET

Cabinet Colour	white
----------------	-------

Cabinet material	painting galvanized steel
------------------	---------------------------

TECHNICAL

Dryer Lint filter position	front pocket
----------------------------	--------------

Dryer Element watts	900
---------------------	-----

Noise level dBA	60
-----------------	----

SHIPPING

Shipping Weight (Kg)	52
----------------------	----

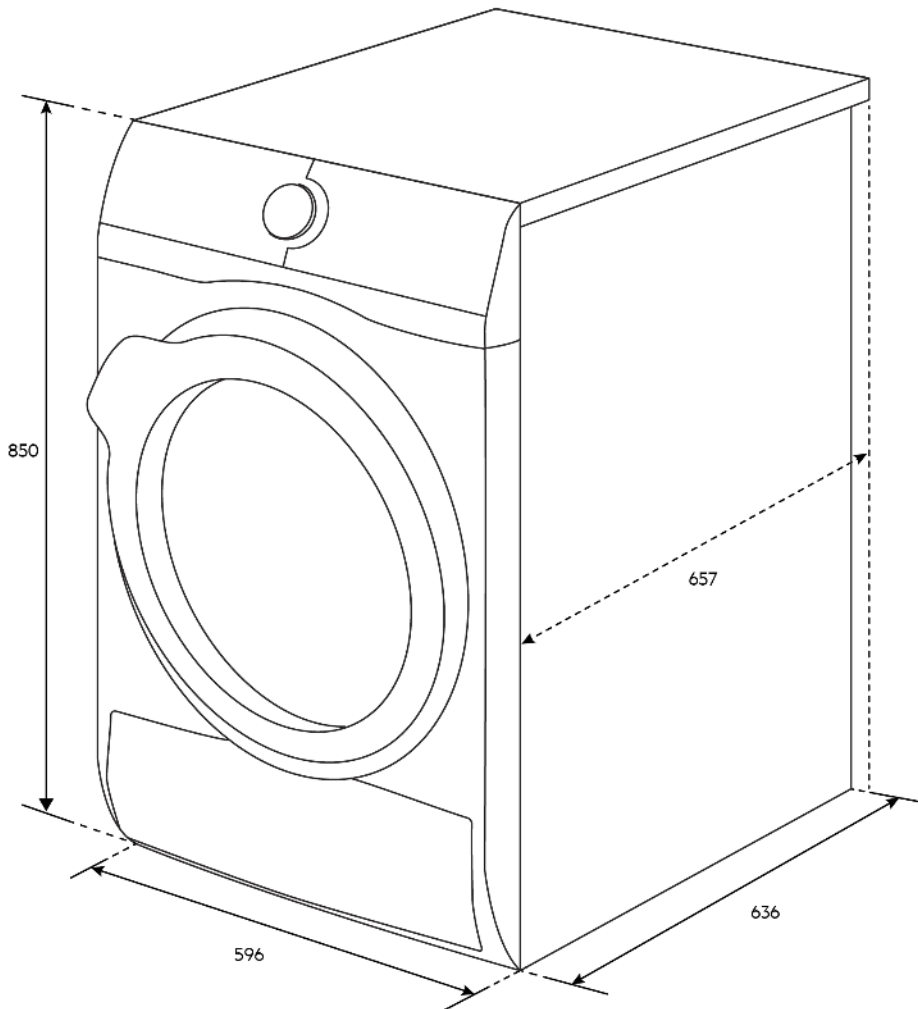
Pack Dimensions Height (mm)	890
-----------------------------	-----

Pack Dimension Width (mm)	640
---------------------------	-----

Pack Dimension Depth (mm)	700
---------------------------	-----

Dimensions

Model:
T959V6PRC



© 2025_Electrolux S.E.A PTE. LTD. AEG_IM_Diag_T959V6PRC_Jan25

Terms and Conditions

IMPORTANT

This is a guide of product dimensions only. For complete installation instructions, refer to the manual provided with product.

PRODUCT INFORMATION

The descriptors and illustrations in this publication apply to the specific products and models described as at the date of issue. Under our policy of continuous product development, product specifications may change without notice. Prospective purchasers should therefore check with their retailer to ensure this publication correctly describes the products that are being offered for sale. All information supplied is to be used for general reference purposes only and is on the understanding that Electrolux Home Products Pty Ltd (Australia) and Electrolux (NZ) Ltd (New Zealand) will not be liable for any loss, liability or damage of whatever kind arising as a result of reliance on such information. Colours of products illustrated are as close as printing limitations allow. Electrolux will at all times comply with its obligations pursuant to law including Trade Practices (Australian Consumer Law) Act and Regulations.

WARRANTY

Electrolux Home Products warrants that for domestic applications the AEG appliances featured are free from defects in materials and workmanship for 5 years (3 months warranty for commercial applications). All warranties are subject to the conditions set out in the warranty card accompanying the product when purchased.

ELECTROLUX HOME PRODUCTS AUSTRALIA

telephone: 1300 363 664

fax: 1800 350 067

email: customercare@aegaustralia.com.au

web: www.aeg.com/au

ELECTROLUX HOME PRODUCTS NEW ZEALAND

telephone: 0800 10 66 10

fax: 09 573 2221

email: customercare@electrolux.co.nz

web: www.aeg.com/au