



Steel Seal™ Washing machine

W3114CXLW.AU

Logic

Series 3

Loading capacity: 11 kg

1400 rpm

Number of programmes: 20

Installation: Freestanding

Energy stars: 4.5

Programs

- Basic washing programs: Time program, Mix/synthetic, Wool / Hand wash, Outerwear, Colored laundry, White laundry, Normal, Delicates
- Special washing programs: Quick Pro, Steam refresh, SportWash
- Special functions: Drum cleaning, Spin, Drain, Rinse
- Wi-Fi washing programs: Waterproof clothing, Jeans, Shirts / Blouses, Beddings / Towels, Down
- Modes: Normal - No changes to the program, Green - Saves water and energy. Program time slightly longer, Speed mode - More water and energy used to ensure a clean laundry in shorter time

Additional options

- Temperature range: Cold - 90°C
- Spin speed setting: Adjustable
- Max spin speed: 1400 rpm
- Delayed start: Up to 24 hours
- Settings: Prewash, No spin, High water level, Super rinse, Small load option, Steam disinfection, Add clothes, Delayed Start

Construction and performance

- Door sealing: Steel Seal™ - Hygienic sealing without rubber bellow
- Quattro Construction™ : Yes, 2.0 Professional suspension with motorized door lock to minimize noise and vibrations
- Outer drum: Stainless Steel
- Inner drum: Stainless Steel
- Counter weight material: Cast iron
- Counterweight: 17 kg
- Active Drum™ - Ensure a gentle yet effective washing cycle: Yes
- Max +/- 1°C temperature variation: Yes
- Drum size: 80 l
- Door hinge placement: Left
- Door opening diameter: 310 mm
- Door maximum opening angle: 110 °
- Motor: Long life and quiet brushless motor
- Shortest program time: 20 min

Use and flexibility

- Easy Close door: Yes
- Easy door opening: Yes
- Door lock: Motorized
- Stop flap for Liquid detergent: Yes, possible to use both liquid and powder detergent
- Automatic detergent drawer cleaning: Time remaining indicator
- Load Light™ - Illumination of the drum: No
- Automatic dosing system: No
- Dose assist: Yes
- Wifi: Yes
- ConnectLife: Monitoring and control in the palm of your hand: ConnectLife
- Bluetooth: Yes
- Included accessory: Discharge hose bow, Adapter for water connection 1/2

Interaction and control

- Remaining time indication: Yes

- Type of display: LCD
- Transparent door cover/Double glass door: No
- Number of programmes: 20
- Create own program: Yes
- Language settings: Swedish, Slovenian, Slovak, Russian, Polish, Norwegian, Dutch, Latvian, Lithuanian, Japanese, Italian, Croatian, French, Finnish, Estonian, Spanish, English, German, Danish, Czech, US English, Ukrainian, Serbian, Portuguese, AU English

Design and integration

- Main colour of product: White
- Easy mounting of ASKO dryer on top of the washers: Yes
- Loading type: Front load
- Adjustable feet: 10 mm

Safety and maintenance

- Waterproof bottom plate with leakage detection: Yes
- Maximized water inlet time: Yes
- Aqua safe system: Yes, with bottom sensor
- Water inlet hose: Reinforced rubber hose
- Drain system: Anti Block™ - Self-cleaning drain pump
- Overflow protection: Yes
- Emergency door opening function: Yes
- Child lock on display: Yes
- Unbalance detection - Protects the washer against harmful vibrations: Yes
- Draining capacity: 20 l/min
- Overheat protection: For motor and electronics

Technical data

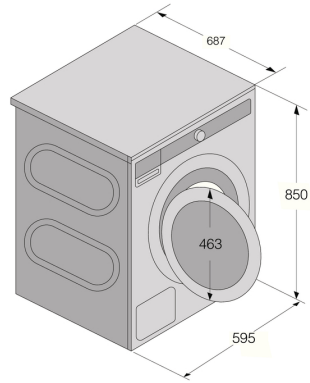
- Loading capacity: 11 kg
- Plug type: AU plug
- Connected load: 2200 W
- Voltage (V): 220-240 V
- Number of phases: 1
- Fuse: 10 A
- Frequency: 50 Hz
- Heater power: 2000 W
- Net weight: 98.101 kg
- Energy stars: 4.5
- Water stars: 4.5
- Water connection: Size 3/4" - Can only be connected to cold water
- ISO 14001 certified manufacturing: Yes

Dimensions

- Width: 595 mm
- Height: 850 mm
- Depth: 687 mm
- Depth with door open: 1129 mm
- Length of electrical cord: 2100 mm
- Length inlet hose: 150 cm
- Length outlet hose: 160 cm

Logistic information

- Packaging width: 636 mm
- Packaging height: 920 mm
- Packaging depth: 776 mm
- Gross weight: 101.5 kg
- Weight of packaging: 3.4 kg
- Product code: 746338
- EAN code: 3838783001498



WMB60LJ, Cold and warm water inlet

