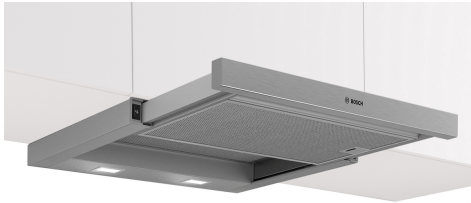


**Series 2, Slideout rangehood, 60 cm,  
Silver metallic  
DFM064W55A**



DWZ1IT1B4 Clean Air Standard odor filter (repl.)  
DWZ1IT1I4 Clean Air Standard recirculation kit

**Slideout rangehood: built-in design that  
integrates with kitchen cabinetry for a  
clean finish.**

- **Three power levels:** Flexible extraction to suit everyday cooking.
- **Metal grease filters:** Easy to clean, dishwasher safe design for fresher kitchen air.
- **LED lighting:** Energy-efficient, bright, even cooktop illumination.

Typology: ..... Pull-out  
Length electrical supply cord: ..... 175 cm  
Required niche size for installation (HxWxD): ... 162mm x 526.0mm x 290mm mm  
Minimum distance above an electric cooktop: ..... 600 mm  
Minimum distance above a gas cooktop: ..... 650 mm  
Net weight: ..... 8.8 kg  
Type of control: ..... mechanical  
Number of power settings: ..... 3  
Max. air extraction: ..... 394 m<sup>3</sup>/h  
Max. air recirculation: ..... 238 m<sup>3</sup>/h  
Number of lights: ..... 2  
Noise level: ..... 68 dB(A) re 1pW  
Diameter of air outlet: ..... 150 mm  
Grease filter material: ..... Washable aluminium  
EAN code: ..... 4242005538102  
Connection rating: ..... 108 W  
Fuse protection: ..... 10 A  
Voltage: ..... 220-240 V  
Frequency: ..... 50 Hz  
Plug type: ..... Standard 10 Amp plug  
Installation type: ..... Built-in



## **Series 2, Slideout rangehood, 60 cm, Silver metallic DFM064W55A**

**Slideout rangehood: built-in design that integrates with kitchen cabinetry for a clean finish.**

---

### **Design:**

- Install into a 60cm wide upper kitchen cabinet
- Suitable for ducted or recirculated extraction
- Appliance colour: metallic silver

### **Features:**

- 2 x LED Lights
- Colour Temperature: 3500 K
- Light Intensity: 131 lux
- 2 metal grease filter(s)

### **Comfort Features:**

- Rocker switch control for power and light
- 3 power settings

### **Cleaning Comfort:**

- Metal grease filter dishwasher-safe

### **Performance Exhaust:**

- According to EN 61591 and EN/ IEC 60704-2-13 your appliance can achieve the following values in exhaust mode:
- Speed 1: extraction rate 276 m<sup>3</sup>/h; noise level 61 dB(A) re1pW
- Speed 2: extraction rate 336 m<sup>3</sup>/h; noise level 65 dB(A) re1pW
- Speed 3: extraction rate 394 m<sup>3</sup>/h; noise level 68 dB (A) re1pW

### **Performance Recirculation:**

- Accessory required for recirculated extraction: Recirculating kit
- According to EN 61591 and EN/ IEC 60704-2-13 your appliance can achieve the following values in recirculation mode with standard recirculation kit (available as optional accessory):
- Speed 1: extraction rate 190 m<sup>3</sup>/h; noise level 66 dB(A) re1pW
- Speed 2: extraction rate 220 m<sup>3</sup>/h; noise level 69 dB(A) re1pW
- Speed 3: extraction rate 238 m<sup>3</sup>/h ; noise level 71 dB (A) re1pW)

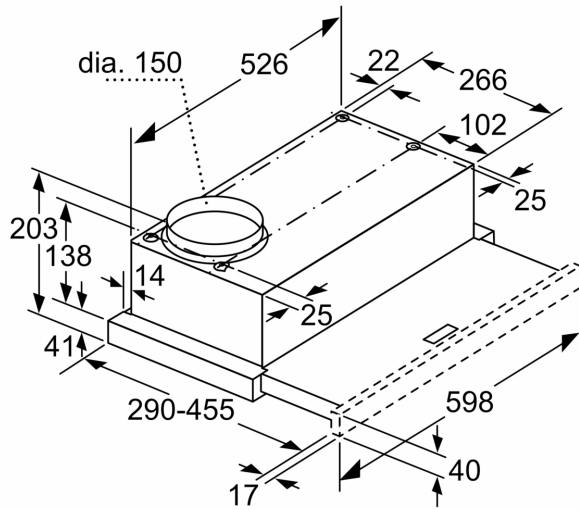
### **Technical Information:**

- Power rating: 108 W
- Voltage: 220 - 240 V
- Made in Germany: produced at a CO<sub>2</sub> neutral production site

### **Planning and Installation Information:**

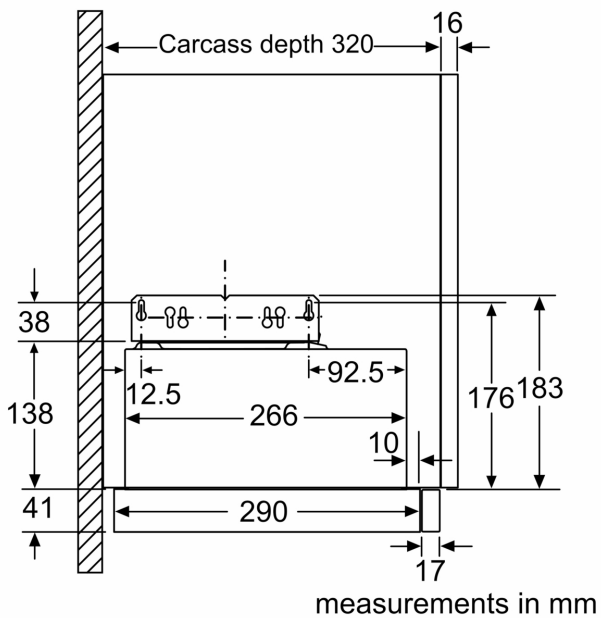
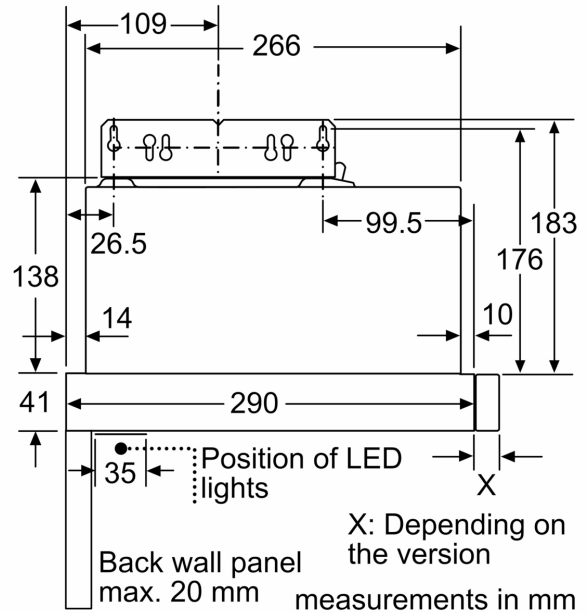
- Appliance dimensions (HxWxD): 203 x 598 x 290 mm
- Installation dimensions (HxWxD): 162 x 526 x 290 mm
- Electrical cable length 1.75 m
- Diameter pipe Ø 150 mm

**Series 2, Slideout rangehood, 60 cm,  
Silver metallic  
DFM064W55A**

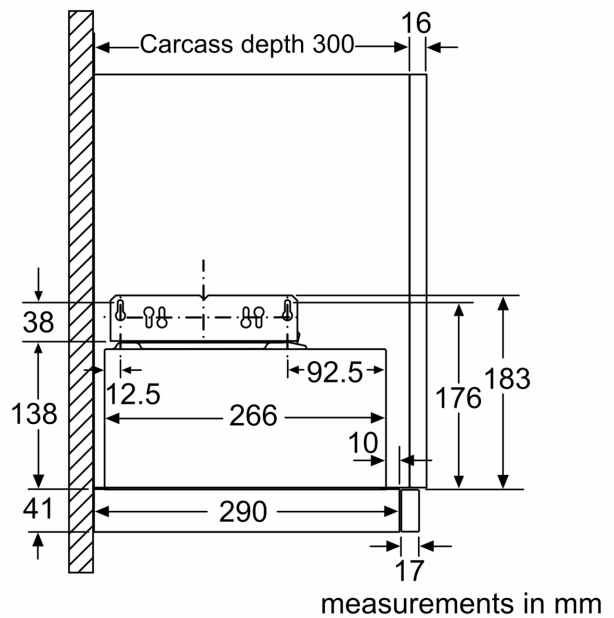


Not possible to adjust the depth of the filter pull-out

measurements in mm



measurements in mm



measurements in mm

