

**Series 4, Slideout rangehood, 60 cm,
Silver metallic
DFS067A51A**



DWZ2IT114 Clean Air Standard recirculation kit

Slideout rangehood: built-in design that integrates with kitchen cabinetry for a clean finish.

- **EcoSilence Drive™**: the quiet, energy-saving and powerful motor for rangehoods.
- **Intensive speed with reset**: automatically returns to the normal speed after a short boost to clear steam and odours.
- **Metal grease filters**: easy to clean, dishwasher safe design for fresher kitchen air.
- **LED lighting**: energy-efficient, bright, even cooktop illumination.
- **Extra silent**: the high-performance rangehood, with minimal noise.

Typology: Pull-out
 Length electrical supply cord: 175 cm
 Required niche size for installation (HxWxD): ... 385mm x 524.0mm x 290mm mm
 Minimum distance above an electric cooktop: 600 mm
 Minimum distance above a gas cooktop: 650 mm
 Net weight: 11.0 kg
 Type of control: Electronic
 Number of power settings: 3-stages + intensive setting
 Max. air extraction: 399 m³/h
 Boost position output recirculating: 628 m³/h
 Max. air recirculation: 358 m³/h
 Boost position air extraction: 728 m³/h
 Number of lights: 2
 Noise level: 53 dB(A) re 1pW
 Diameter of air outlet: 120 / 150 mm
 Grease filter material: Washable stainless steel
 EAN code: 4242005252442
 Connection rating: 144 W
 Fuse protection: 10 A
 Voltage: 220-240 V
 Frequency: 50; 60 Hz
 Plug type: AU plug
 Installation type: Built-in



Series 4, Slideout rangehood, 60 cm, Silver metallic DFS067A51A

Slideout rangehood: built-in design that integrates with kitchen cabinetry for a clean finish.

-
- Appliance width: 598 mm
 - Install into a 60cm wide upper kitchen cabinet
 - Suitable for ducted or recirculated extraction
 - Accessory required for recirculation mode: Standard recirculation kit

Design

- Appliance colour: metallic silver

Comfort

- Push button controls (3 power settings plus intensive setting) with LED display
- Intensive operation automatic revert - 6min
- Automatic after running (10 minutes)
- 2 x LED Lights
- Colour Temperature: 3500 K

Cleaning

- Stainless steel filter covers
- Dishwasher safe Metal grease filters

Performance

- Extraction rate according to EN 61591 ø 15 cm: max. Normal use 399 m³/h. Intensive 728 m³/h
- Extraction rate exhaust air according to EN 61591: max. 728 m³/h
- Noise min./max. Normal Level: 41/53 dB
- 2 high-performance fans, EcoSilence Drive: Efficient BLDC technology
- EcoSilence Drive: Efficient BLDC technology

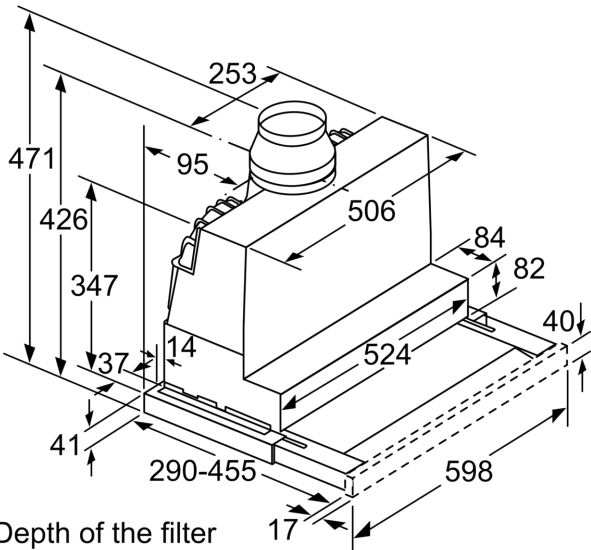
Planning and installation information

- Easy installation system
- Appliance dimensions (HxWxD): 426 x 598 x 290 mm
- Installation dimensions (HxWxD): 385 x 524 x 290 mm
- Diameter pipe ø 150 mm (ø 120 mm enclosed)
- Electrical cable length 1.75 m

Consumption Data

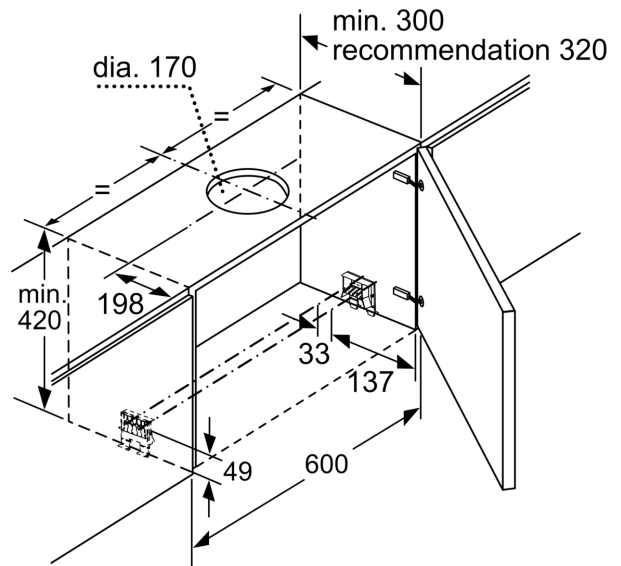
- Power rating: 144 W

**Series 4, Slideout rangehood, 60 cm,
Silver metallic
DFS067A51A**

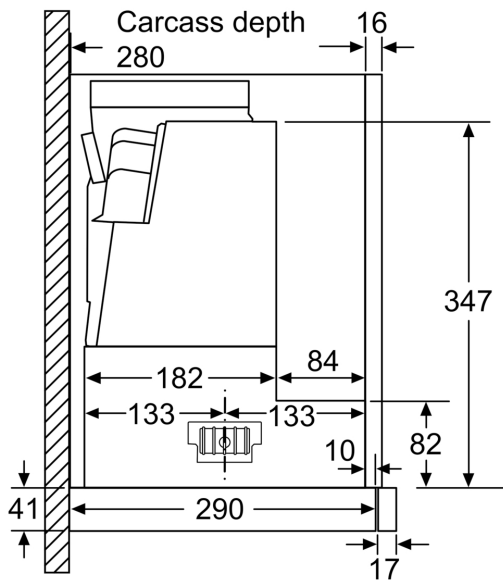


Depth of the filter drawer can be adjusted by up to 29 mm

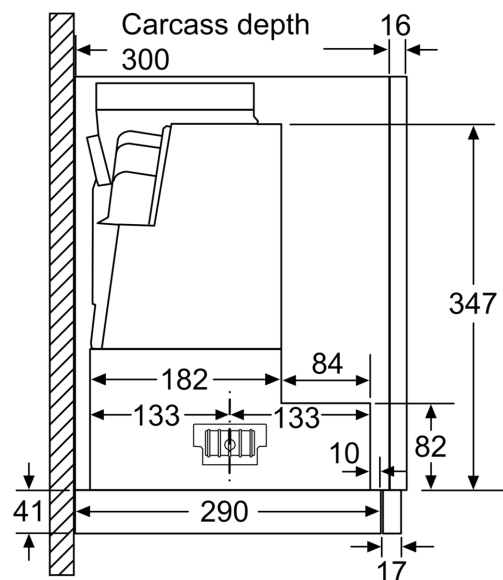
measurements in mm



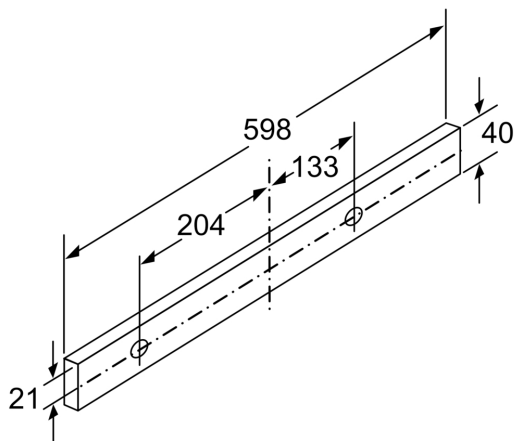
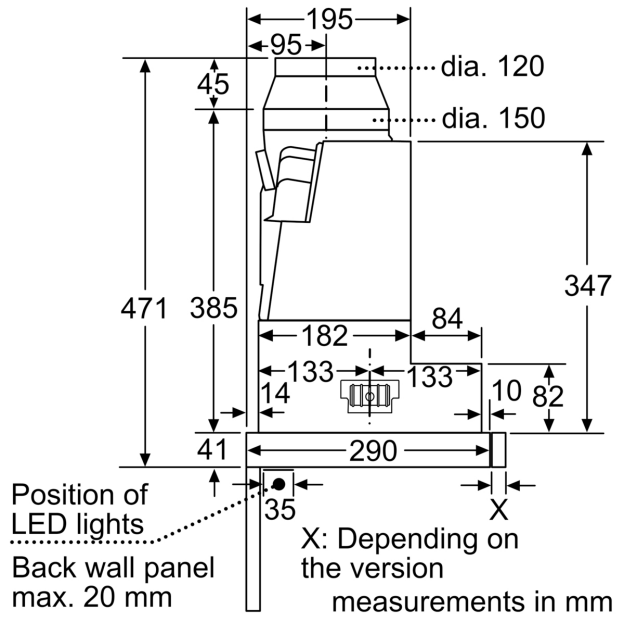
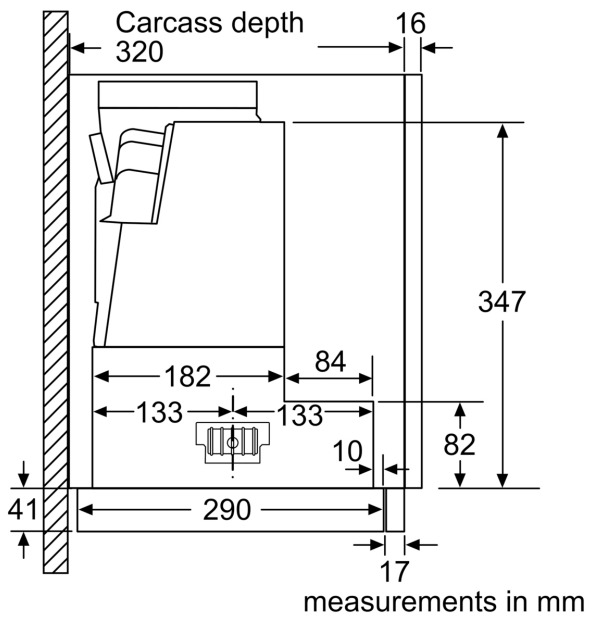
measurements in mm



measurements in mm



measurements in mm



measurements in mm