

**Series 4, Slideout rangehood, 90 cm,
Silver metallic
DFS097A51A**



DSZ4920	Installation kit for 90cm wide wall unit
DSZ4961	Lowering frame
DSZ4982	Handle strip white
DSZ4986	Handle strip black
DWZ0IT0P0	Long Life odor filter (replacement)
DWZ1IT1D1	Long Life recirculation kit external
DWZ1IX1B6	Clean Air Plus odor filter (replacement)
DWZ1IX1C6	Clean Air Plus recirc. kit external
DWZ2IT1B4	Clean Air Standard odor filter (repl.)
DWZ2IT1I4	Clean Air Standard recirculation kit

**Slideout rangehood: built-in design that
integrates with kitchen cabinetry for a
clean finish.**

- **EcoSilence Drive™**: the powerful, energy-efficient motor that runs quietly.
- **LED lighting**: energy-efficient LED lighting for bright, even cooktop illumination.
- **Intensive speed setting**: quickly removes steam and strong cooking odours for a fresher kitchen.
- **Metal grease filters**: capture grease and are easy to clean for fresher air.

Typology: Pull-out
Length electrical supply cord: 175 cm
Required niche size for installation (HxWxD):	... 385mm x 524.0mm x 290mm mm
Minimum distance above an electric cooktop: 600 mm
Minimum distance above a gas cooktop: 650 mm
Net weight: 13.4 kg
Type of control: Electronic
Number of power settings: 3-stages + intensive setting
Max. air extraction: 397 m ³ /h
Boost position output recirculating: 628 m ³ /h
Max. air recirculation: 358 m ³ /h
Boost position air extraction: 729 m ³ /h
Number of lights: 3
Noise level: 53 dB(A) re 1pW
Diameter of air outlet: 120 / 150 mm
Grease filter material: Washable stainless steel
EAN code: 4242005252459
Connection rating: 146 W
Fuse protection: 10 A
Voltage: 220-240 V
Frequency: 50; 60 Hz
Plug type: AU plug
Installation type: Built-in



Series 4, Slideout rangehood, 90 cm, Silver metallic DFS097A51A

- Average Energy Consumption: 38.1 kWh/year
- Power rating: 146 W

Slideout rangehood: built-in design that integrates with kitchen cabinetry for a clean finish.

Variant

- Appliance width: 898 mm
- Suitable for ducted or recirculated extraction
- Accessory required for recirculation mode: Standard recirculation kit

Design

- Appliance colour: metallic silver

Comfort

- Electronic controls with low-lift push buttons
- Push button controls (3 power settings plus intensive setting) with LED display
- 3 power settings plus intensive setting
- Intensive operation automatic revert - 6min
- Automatic after running (10 minutes)
- 3 x LED Lights
- Colour Temperature: 3500 K
- Light Intensity: 355 lux

Cleaning

- Stainless steel filter covers

Performance

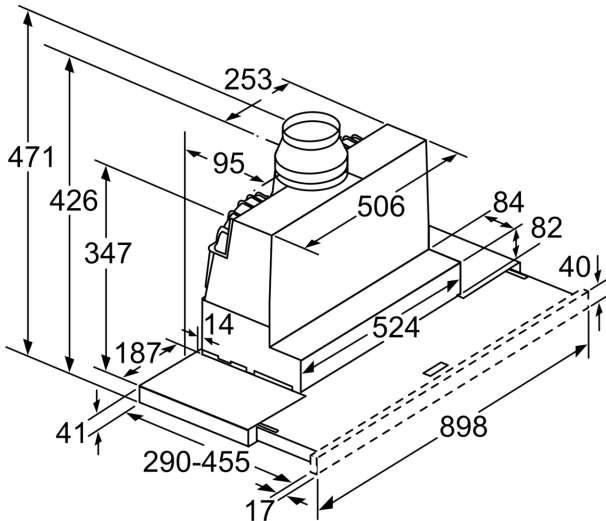
- Extraction rate according to EN 61591 \varnothing 15 cm: max. Normal use 397 m³/h. Intensive 729 m³/h
- Noise level according to EN 60704-3 exhaust air:
- Max. normal use: 53dB(A) re 1 pW
- Intensive: 69 dB(A) re 1 pW
- Noise min./max. Normal Level: 41/53 dB
- With the Clean Air Plus recirculation kit (available as accessory) your appliances reaches:
- Extraction rate in recirculation mode:
- Max. normal use: 358m³/h
- Intensive: 628m³/h
- Noise level in recirculation mode:
- Max. normal use: 60dB(A) re 1 pW
- Intensive: 71 dB(A) re 1 pW
- 2 high-performance fans, EcoSilence Drive: Efficient BLDC technology
- EcoSilence Drive: Efficient BLDC technology

Planning and installation information

- Appliance dimensions (HxWxD): 426 x 898 x 290 mm
- Easy installation system
- Install into a 60cm cupboard (or 90cm with optional accessory)
- Installation dimensions (HxWxD): 385 x 524 x 290 mm
- Diameter pipe \varnothing 150 mm (\varnothing 120 mm enclosed)
- Electrical cable length 1.75 m

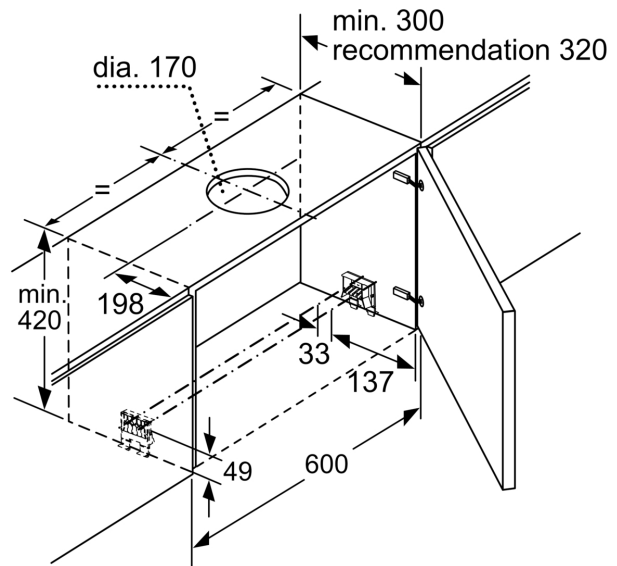
Consumption Data

**Series 4, Slideout rangehood, 90 cm,
Silver metallic
DFS097A51A**

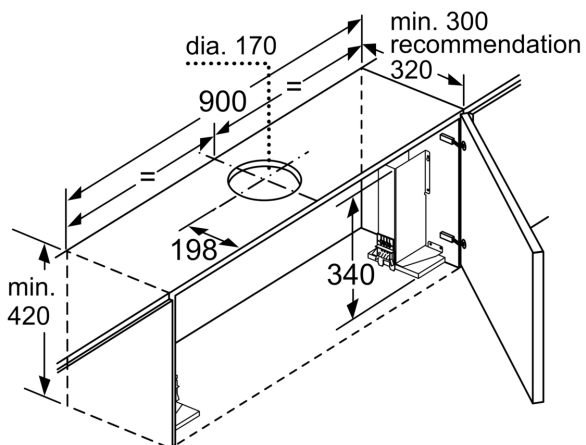


Depth of the filter
drawer can be adjusted
by up to 29 mm

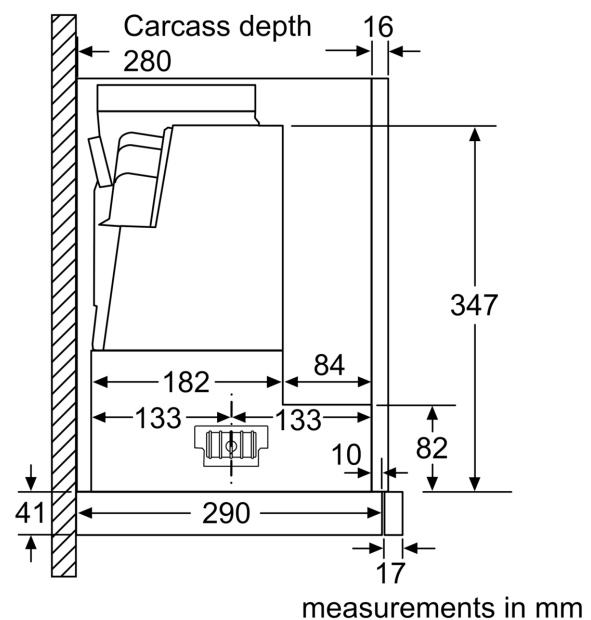
measurements in mm



measurements in mm



When installing the 90 cm telescopic hood in
a 90 cm wide wall-hanging cupboard,
a mounting kit is required. The two mounting
brackets are screwed onto the left and right of the
kitchen unit. Installation in accordance with template.
measurements in mm



measurements in mm

