

Series 8, Wall-mounted canopy rangehood, 90 cm, Stainless steel DWB91PR50A



DWZ2CB114 Clean Air Standard recirculation kit
 DZZ2CB1B4 Clean Air Standard odor filter (repl.)

The wall-mounted rangehood: a functional design element in the kitchen.

- **PerfectAir sensor:** for quieter operation and optimal odour removal.
- **Silence:** high extraction performance with low noise levels.
- **LED lighting:** energy-efficient, bright, even cooktop illumination.
- **Intensive speed with reset:** automatically returns to the normal speed after a short boost to clear steam and odours.
- **EcoSilence Drive™:** the quiet, energy-saving and powerful motor for rangehoods.

Color chimney:Stainless steel
 Typology:Wall-mounted
 Length electrical supply cord: 130 cm
 Height of the chimney: 582-908/568-1018 mm
 Height of product, without chimney: 46 mm
 Minimum distance above an electric cooktop: 600 mm
 Minimum distance above a gas cooktop: 650 mm
 Net weight: 19.0 kg
 Type of control:Electronic
 Number of power settings: 3-stages + 2 intensive settings
 Max. air extraction: 602 m³/h
 Boost position output recirculating: 561 m³/h
 Max. air recirculation: 462 m³/h
 Boost position air extraction: 965 m³/h
 Number of lights: 3
 Noise level: 64 dB(A) re 1pW
 Diameter of air outlet: 120 / 150 mm
 Grease filter material: Washable stainless steel
 EAN code: 4242005107742
 Connection rating: 265 W
 Fuse protection: 10 A
 Voltage: 220-240 V
 Frequency: 50; 60 Hz
 Plug type: AU plug
 Installation type: Wall-mounted



Series 8, Wall-mounted canopy rangehood, 90 cm, Stainless steel DWB91PR50A

The wall-mounted rangehood: a functional design element in the kitchen.

Design and Innovation

- Box design
- Appliance colour: Stainless steel
- Electronic controls via TouchControl with lightline
- PerfectAir sensor
- Cooktop-based rangehood control (with matching cooktop)

Power and Mode of Operation

- Accessory required for recirculation mode: Standard recirculation kit
- 3 power levels + 2 intensive levels
- Extraction rate according to EN 61591 ø 15 cm: max. Normal use 602 m³/h. Intensive 965 m³/h
- Extraction rate in recirculation mode: Max. normal use: 471 m³/h. Intensive: 595 m³/h
- Suitable for ducted or recirculated extraction
- EcoSilence BLDC brushless motor
- Noise min./max. Normal Level: 45/64 dB
- Noise level in recirculation mode:
 - Max. normal use: 72 dB(A) re 1 pW (60 dB(A) re 20 µPa sound pressure)

Comfort & Convenience

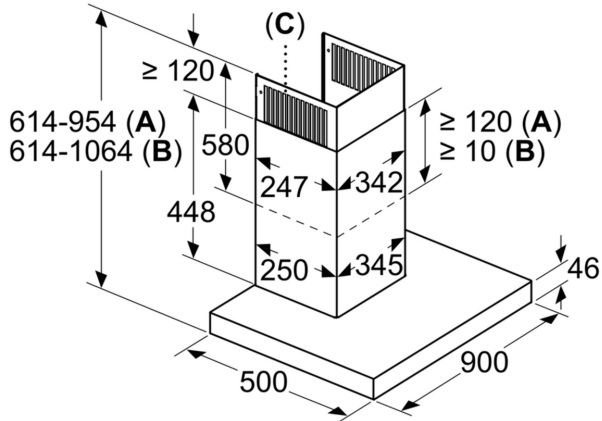
- Dishwasher safe Metal grease filters
- Saturation display for filters
- Stainless steel filter covers, dishwasher safe
- with one-way flap: prevents outside air from entering your kitchen
- Intensive operation automatic revert - 6min
- Automatic after running (10 minutes)
- Additional sound insulation mats for optimised sound absorption
- 3 x 1.5 Watt LED Lights
- SoftLight with Dimming function

Technical Information

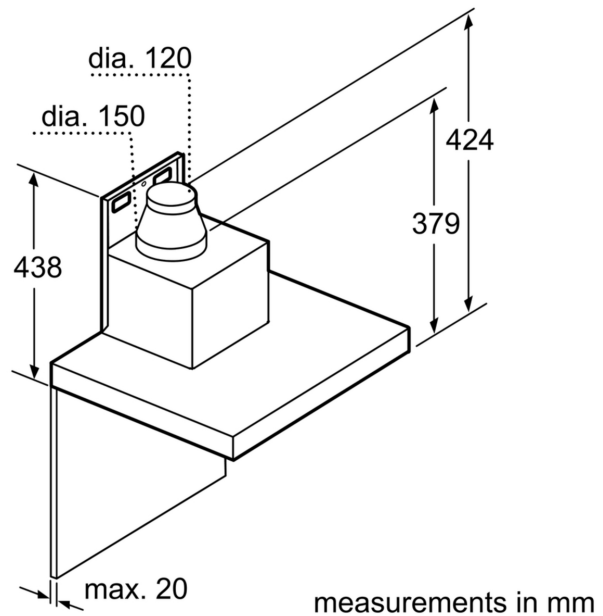
- Appliance width: 898 mm
- Dimensions exhaust air (HxWxD): 614-954 x 898 x 500 mm
- Dimensions recirculating (HxWxD): 614-1064 x 898 x 500 mm
- Diameter pipe Ø 150 mm (Ø 120 mm enclosed)
- Electrical cable length 1.3 m

**Series 8, Wall-mounted canopy
rangehood, 90 cm, Stainless steel
DWB91PR50A**

measurements in mm

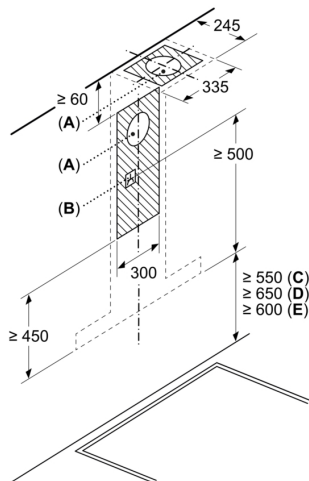


- A:** Air extraction
- B:** Air recirculation
- C:** Air outlet – slots for exhaust air to be mounted facing down



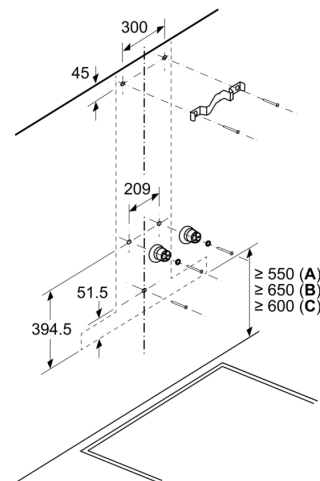
measurements in mm

Measurements in mm



- A:** Exhaust air outlet
- B:** Socket
- C:** Electric
- D:** Gas - from upper edge of pan support
- E:** Electric - for Australia and New Zealand

Measurements in mm



- A:** Electric
- B:** Gas - from upper edge of pan support
- C:** Electric - for Australia and New Zealand