

**Series 6, Wall-mounted canopy
rangehood, 90 cm, Stainless steel
DWB97LM50A**



DZZ2CB1B4 Clean Air Standard odor filter (repl.)

**The wall-mounted rangehood: a functional
design element in the kitchen.**

- **SilentPowerDrive:** The quiet and powerful motor for rangehoods.
- **Intensive speed with reset:** Automatically returns to the normal speed after a short boost to clear steam and odours.
- **LED lighting:** Energy-efficient, bright, even cooktop illumination.
- **Metal grease filters:** Easy to clean, dishwasher safe design for fresher kitchen air.
- **TouchSelect control:** Quickly select rangehood settings via touch.

Color chimney:Stainless steel
 Typology:Wall-mounted
 Length electrical supply cord: 130 cm
 Height of the chimney: 582-908/568-1018 mm
 Height of product, without chimney: 46 mm
 Minimum distance above an electric cooktop: 600 mm
 Minimum distance above a gas cooktop: 650 mm
 Net weight: 18.0 kg
 Type of control:Electronic
 Number of power settings: 3-stages + intensive setting
 Max. air extraction: 431 m³/h
 Boost position output recirculating: 442 m³/h
 Max. air recirculation: 343 m³/h
 Boost position air extraction: 697 m³/h
 Number of lights: 3
 Noise level: 55 dB(A) re 1pW
 Diameter of air outlet: 120 / 150 mm
 Grease filter material: Washable stainless steel
 EAN code: 4242005107728
 Connection rating: 145 W
 Fuse protection: 10 A
 Voltage: 220-240 V
 Frequency: 50; 60 Hz
 Plug type: Standard 10 Amp plug
 Installation type: Wall-mounted



Series 6, Wall-mounted canopy rangehood, 90 cm, Stainless steel DWB97LM50A

The wall-mounted rangehood: a functional design element in the kitchen.

Design and Innovation

- Box design
- Appliance colour: Stainless steel

Power and Mode of Operation

- Accessory required for recirculation mode: Standard recirculation kit
- 3 power settings plus intensive setting
- Extraction rate according to EN 61591 \varnothing 15 cm: max. Normal use 431 m³/h. Intensive 697 m³/h
- Extraction rate in recirculation mode: Max. normal use: 373 m³/h
- Suitable for ducted or recirculated extraction
- Electronic controls with white LED display
- TouchControl
- EcoSilence BLDC brushless motor
- Noise min./max. Normal Level: 45/55 dB
- Noise level in recirculation mode:
 - Max. normal use: 66 dB(A) re 1 pW (57 dB(A) re 20 μ Pa sound pressure)
- Power rating: 145 W

Comfort & Convenience

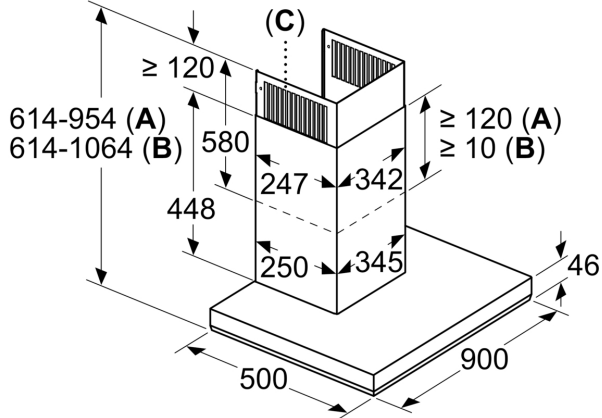
- with one-way flap: prevents outside air from entering your kitchen
- Dishwasher safe Metal grease filters
- 3 x 1.5 Watt LED Lights
- Intensive operation automatic revert - 6min
- Additional sound insulation mats for optimised sound absorption

Technical Information

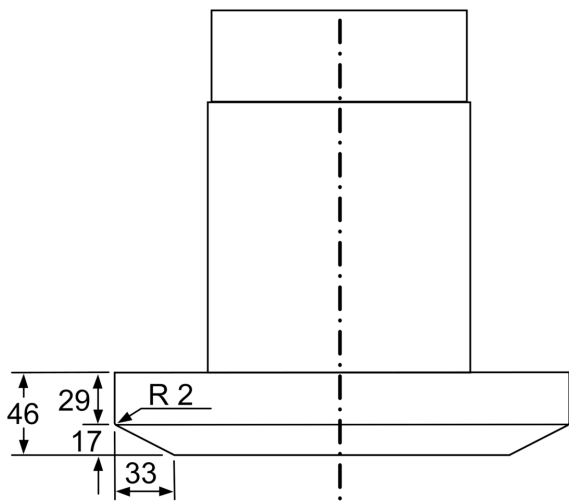
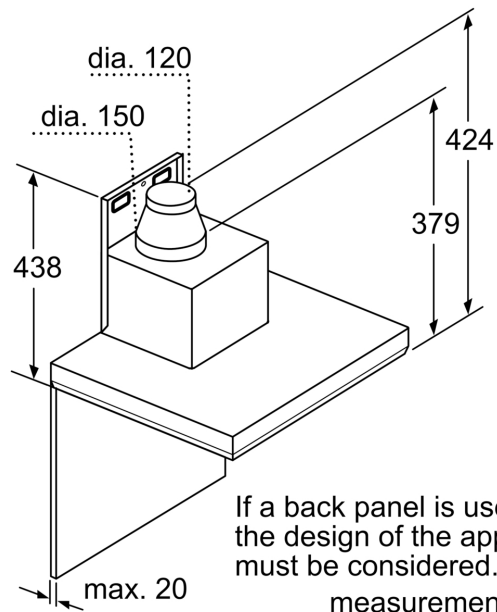
- Appliance width: 898 mm
- Dimensions exhaust air (HxWxD): 614-954 x 898 x 500 mm
- Dimensions recirculating (HxWxD): 614-1064 x 898 x 500 mm
- Diameter pipe \varnothing 150 mm (\varnothing 120 mm enclosed)
- Electrical cable length 1.3 m

**Series 6, Wall-mounted canopy
rangehood, 90 cm, Stainless steel
DWB97LM50A**

measurements in mm

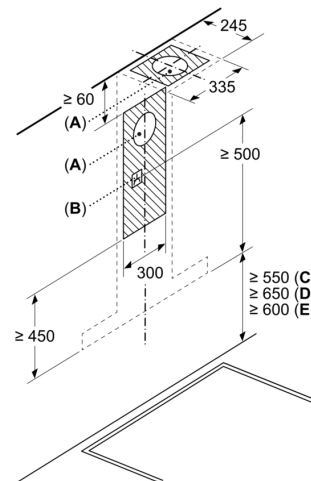


- A: Air extraction
- B: Air recirculation
- C: Air outlet – slots for exhaust air to be mounted facing down



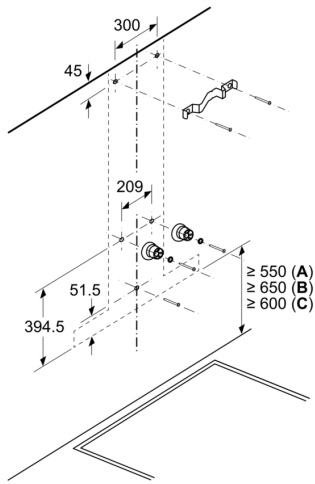
measurements in mm

Measurements in mm



- A: Exhaust air outlet
- B: Socket
- C: Electric
- D: Gas - from upper edge of pan support
- E: Electric - for Australia and New Zealand

Measurements in mm



A: Electric

B: Gas - from upper edge of pan support

C: Electric - for Australia and New Zealand