

Series 2, Wall-mounted canopy rangehood, 60 cm, Stainless steel DWP66BC50A



DHZ5275 Standard recirculation kit

Canopy rangehood: perfect performance matching your kitchen.

- **Three power levels:** flexible extraction to suit everyday cooking.
- **Metal grease filters:** easy to clean, dishwasher safe design for fresher kitchen air.
- **LED lighting:** energy-efficient, bright, even cooktop illumination.

Color chimney: Stainless steel
 Typology: Wall-mounted
 Length electrical supply cord: 130 cm
 Height of the chimney: 553-730/573-730 mm
 Height of product, without chimney: 246 mm
 Minimum distance above an electric cooktop: 600 mm
 Minimum distance above a gas cooktop: 650 mm
 Net weight: 8.7 kg
 Type of control: mechanical
 Number of power settings: 3
 Max. air extraction: 598 m³/h
 Max. air recirculation: 406 m³/h
 Number of lights: 2
 Noise level: 69 dB(A) re 1pW
 Diameter of air outlet: 120 / 150 mm
 Grease filter material: Washable aluminium
 EAN code: 4242005100637
 Connection rating: 220 W
 Fuse protection: 10 A
 Voltage: 220-240 V
 Frequency: 50; 60 Hz
 Plug type: AU plug
 Installation type: Wall-mounted



Series 2, Wall-mounted canopy rangehood, 60 cm, Stainless steel DWP66BC50A

Canopy rangehood: perfect performance matching your kitchen.

Design and Innovation

- 60 cm Canopy Rangehood
- Pyramid design
- Appliance colour: Stainless steel

Power and Mode of Operation

- Accessory required for recirculated extraction: Recirculating kit
- Push button controls for power and light
- 3 power settings
- Extraction rate exhaust air according to EN 61591: max. 597 m³/h
- Extraction rate in recirculation mode: Max. normal use: 406 m³/h
- Suitable for ducted or recirculated extraction
- Noise min./max. Normal Level: 49/69 dB
- Noise level in recirculation mode:
 - Max. normal use: 75 dB(A) re 1 pW (62 dB(A) re 20 µPa sound pressure)

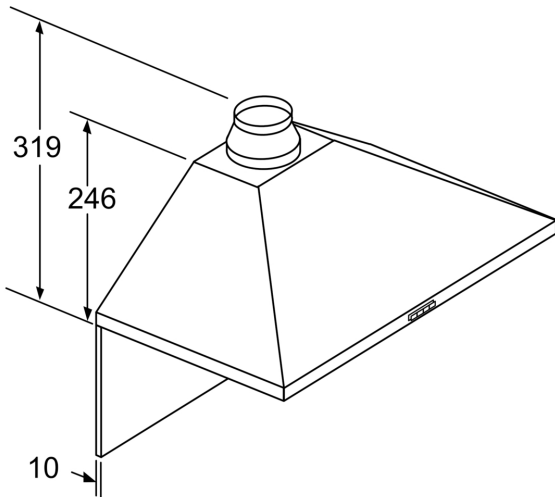
Comfort & Convenience

- Dishwasher safe Metal grease filters
- 2 x LED Lights
- with one-way flap: prevents outside air from entering your kitchen

Technical Information

- Appliance width: 600 mm
- Dimensions exhaust air (HxWxD): 799-975 x 600 x 500 mm
- Dimensions recirculating (HxWxD): 799-975 x 600 x 500 mm
- Diameter pipe Ø 150 mm (Ø 120 mm enclosed)
- Electrical cable length 1.3 m

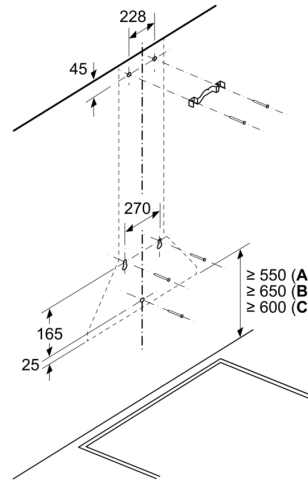
**Series 2, Wall-mounted canopy
rangehood, 60 cm, Stainless steel
DWP66BC50A**



If a back panel is used,
the design of the appliance
must be considered.

measurements in mm

Measurements in mm

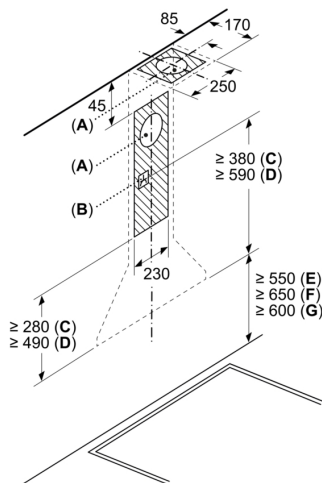


A: Electric

B: Gas - from upper edge of pan support

C: Electric - for Australia and New Zealand

Measurements in mm



A: Exhaust-air outlet

B: Socket

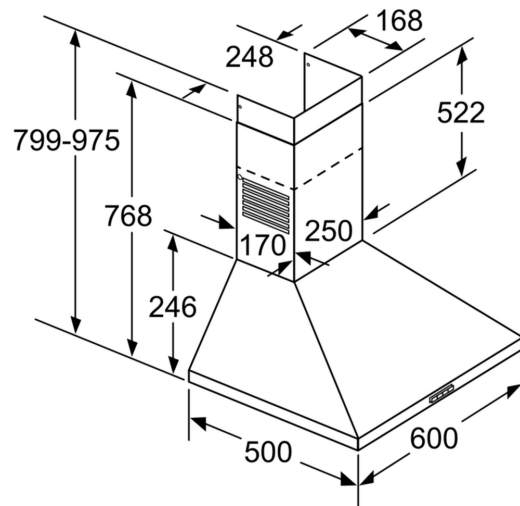
C: Exhaust air

D: Circulated air

E: Electric

F: Gas - from upper edge of pan support

G: Electric - for Australia and New Zealand



measurements in mm