

**Series 6, Built-in oven, 60 x 60 cm,  
Black  
HBA572EB3A**



HEZ327000 Pizza stone, HEZ32WA00 Wireless food thermometer,  
HEZ531010 Baking tray, non-stick ceramic coated, HEZ532010  
Universal pan, non-stick ceramic coated, HEZ538000 1fold telescopic  
rail, level independent, HEZ617000 Pizza pan, enamelled,  
HEZ629070 Air Fry & Grill tray, HEZ631070 Baking tray, enamelled,  
HEZ632070 Multipurpose pan, enamelled, HEZ633001 Lid for  
professional pan, enamelled, HEZ633070 Professional pan with grid,  
enamelled, HEZ633073 Professional pan, enamelled, HEZ634000  
Baking and roasting grid, HEZ636000 Glass pan, HEZ638000 Full ext  
rails, level independent, HEZ660060 Strip, HEZ915003 Glass  
roasting dish, 5,4 L

**Healthy cooking: Air Fry Function for  
perfectly fried foods with hardly any oil  
and pyrolytic self-cleaning.**

- **Air Fry Function with tray:** for perfectly fried foods, such as vegetables and chips.
- **AutoPilot 10:** every dish is a perfect success thanks to 10 pre-set automatic programs.
- **3D Hotair:** even heat distribution for perfect results on up to three levels.
- **1-level telescopic rail:** for safe, easy insertion and removal of baking trays.
- **Pyrolytic self-cleaning:** Automatically cleans the oven, just wipe out the ash.

---

Color / Material Front: .....	Black
Built-in / Free-standing: .....	Built-in
Door opening: .....	Drop down
Cleaning : .....	Pyrolytic+Hydrolytic
Control Panel Material: .....	Glass
Door Material: .....	Glass
Dimensions (HxWxD): .....	595x594x548 mm
Dimensions of the packed product (HxWxD): .....	675 x 660 x 690 mm
Required niche size for installation (HxWxD): .....	585-595 x 560-568 x 550 mm
Cavity dimensions: .....	357 x 480 x 415 mm
Usable volume of cavity: .....	71 l
Number of interior lights: .....	1
Net weight: .....	31.4 kg
Gross weight: .....	33.7 kg
EAN code: .....	4242005464678
Connection rating: .....	3600 W
Fuse protection: .....	16 A
Voltage: .....	220-240 V
Frequency: .....	50; 60 Hz
Length electrical supply cord: .....	120.0 cm

---



## Series 6, Built-in oven, 60 x 60 cm, Black HBA572EB3A

### Healthy cooking: Air Fry Function for perfectly fried foods with hardly any oil and pyrolytic self-cleaning.

#### Heating Functions

- Oven with 7 heating methods:
- AirFry, Full width grill, Hotair gentle, 3D Hotair, Top/bottom heating, Pizza setting, Hot air grilling
- Temperature range 30 °C - 275 °C
- Cavity volume: 71 net usable litres

#### Racks and Rails

- Number of shelf levels: 5
- 1 level telescopic rail, safety stop function

#### Design

- Touch control
- Cavity inner surface: enamel
- Extra large capacity oven

#### Cleaning

- Pyrolytic self-cleaning function
- Cleaning Assistance (HydroClean program)
- Full glass inner door

#### Convenience

- XE51TOUCHB
- Electronic clock/timer with end time programming
- Automatic temperature proposal, Actual temperature display
- AutoPilot, 10 automatic programs
- Bar handle
- Automatic programs
- Automatic rapid heat function
- Halogen lighting
- Integrated cooling fan

#### Accessories

- 1 x Air Fry & Grill tray, 1 x combination grid, 1 x universal pan

#### Safety Features

- Maximum door temperature 30° C
- Low door temperature during pyrolytic cleaning
- Quadruple glazed CoolTouch door
- Electronic door lock, Child lock, Automatic safety switch off function, Start button

#### Technical Information

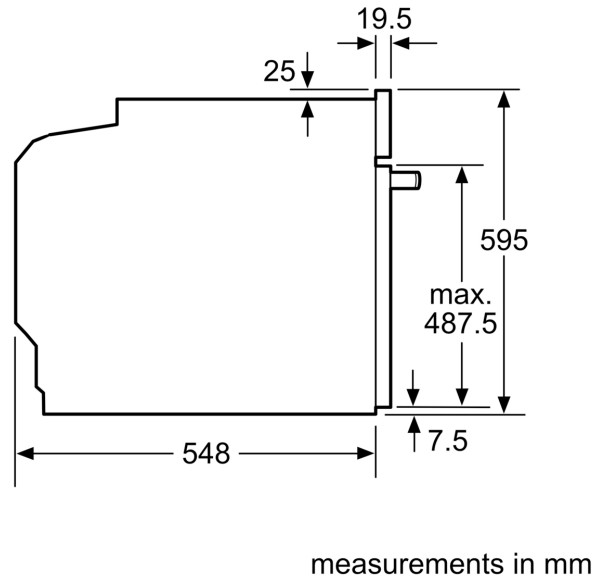
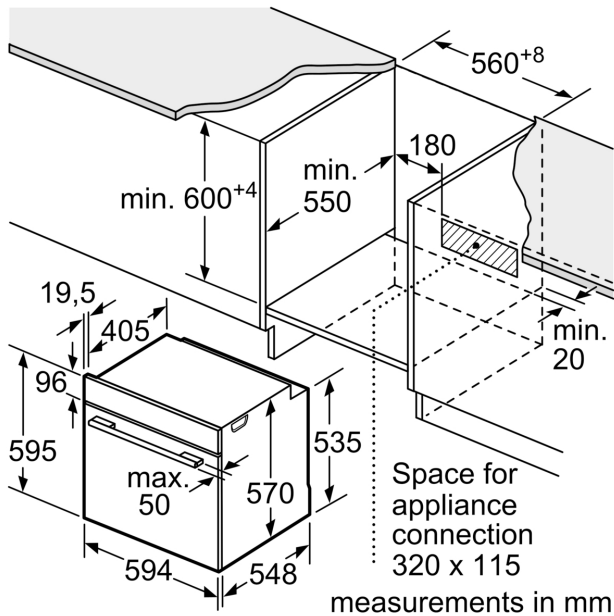
- Length of mains cable: 120 cm
- Nominal voltage: 220 - 240 V
- Total connected load electric: 3.6 KW
- Energy efficiency rating (acc. EU Nr. 65/2014): A+(at a range of energy efficiency classes from A+++ to D)
- Energy consumption per cycle in conventional mode:0.94 kWh
- Energy consumption per cycle in fan-forced convection mode:0.69 kWh

- Number of cavities: 1 Heat source: electrical Cavity volume:71 net usable litres

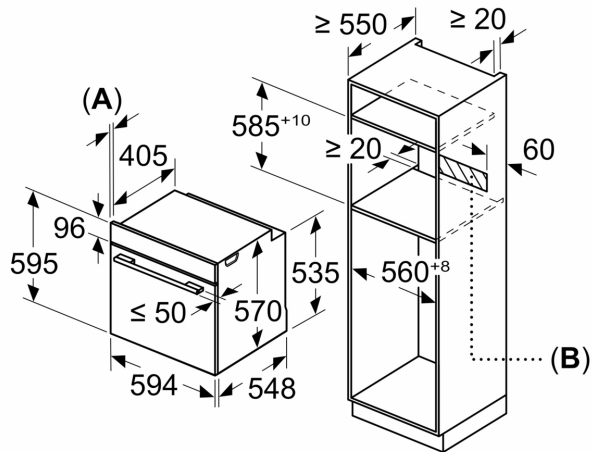
#### Dimensions

- Appliance dimensions (HxWxD): 595 mm x 594 mm x 548 mm
- Installation dimensions (HxWxD): 585 mm - 595 mm x 560 mm - 568 mm x 550 mm
- Please reference the built-in dimensions provided in the installation drawing
- We recommend you to choose complementary products within SER6, in order to assure an optimal design combination of your Built-In appliances.

**Series 6, Built-in oven, 60 x 60 cm,  
Black  
HBA572EB3A**



Measurements in mm



**A:** 19.5 mm  
**B:** Space for appliance connection 320 x 115 mm

Installation with a hob.

