

**Series 6, Dual fuel range cooker,
Stainless steel
HSB738357A**



The electric Range Cooker with up to 8 heating modes and gas cooktop: lets you cook like a professional.

- **Hotair Convection function:** Distributes heat evenly for consistent results on one or more levels.
- **Cast iron pan supports:** Provide durable, stable support for heavy pots and pans.
- **Self-cleaning catalytic coating:** Reduces cleaning effort as the rear and side surfaces absorb grease during cooking.
- **Rotisserie function:** For roasting large cuts of meat and poultry on the rotary spit.
- **Full glass door:** Removable inner glass for easier cleaning and clear visibility while cooking.

Built-in / Free-standing:	Free-standing
Color / Material Front:	Stainless steel
Dimensions (HxWxD):	900-950x898x600 mm
Length electrical supply cord:	120 cm
Net weight:	78.5 kg
Gross weight:	87.9 kg
EAN code:	4242002933160
Number of cavities (2010/30/EC):	1
Usable volume of cavity:	112 l
Energy efficiency rating:	Not applicable
Connection rating:	3200 W
Fuse protection:	16 A
Voltage:	220-240 V
Frequency:	60; 50 Hz
Plug type:	Standard 10 Amp plug



Series 6, Dual fuel range cooker, Stainless steel HSB738357A

The electric Range Cooker with up to 8 heating modes and gas cooktop: lets you cook like a professional.

- wok attachment ring

Technical Information

- Appliance dimensions (HxWxD): 900 mm x 898 mm x 600 mm
- Length of mains cable: 120 cm
- Suitable for natural gas and LPG
- Total connected load electric: 3.2 KW

COOKTOP

Design

- Gas cooktop including 1 Dual wok burner
- Telescopic extension rail x 1
- Storage compartment
- Electronic clock/timer with LED display
- Height adjustable legs by: 50 mm
- Triple glazed door
- Number of oven lights: 2 PC

Size & Power

- Rear left: Standard burner 7 Mj/h
- Front left: Wok burner 13.6 Mj/h 14 Mj/h
- Center rear: Economy burner 4 Mj/h
- Centre front: High-speed burner 12 Mj/h
- Rear right: Standard burner 7 Mj/h
- Front right: Economy burner 4 Mj/h

Comfort & Convenience

- One-hand electronic ignition via controls
- Enamelled cast-iron trivets with rubber feet

Safety and Environment

- Flame failure device fitted to each individual burner

OVEN

- Extra large capacity oven (112 l) with grey enamel
- 8 cooking functions:
 - Rotisserie
 - Grill - large area
 - Fan forced hot air
 - Top/bottom heating
 - Top/bottom heating Eco
 - Hot air grilling
 - Fan assisted top/bottom heating
 - Hot air & bottom heat

Cleaning

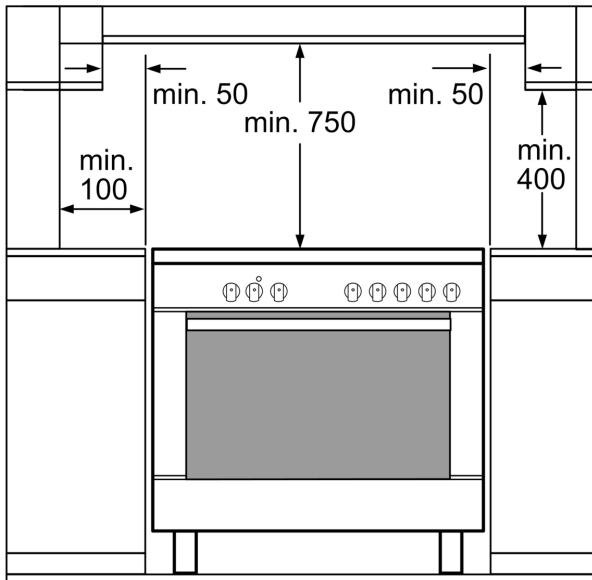
- Catalytic oven cavity (rear and side walls)

2 year warranty

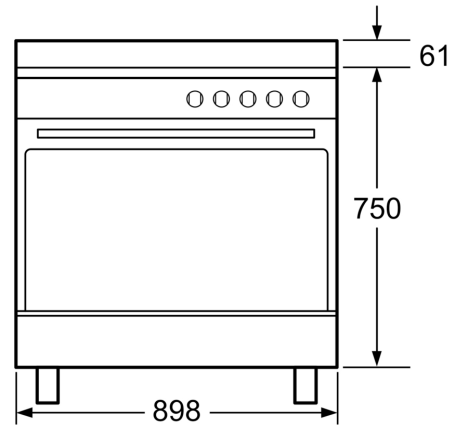
Accessories

- Included accessories:
 - enamel baking tray
 - rotary spit
 - cross support for espresso
 - governor 10mbar NG (AU)
 - grill shelf
 - telescopic rack

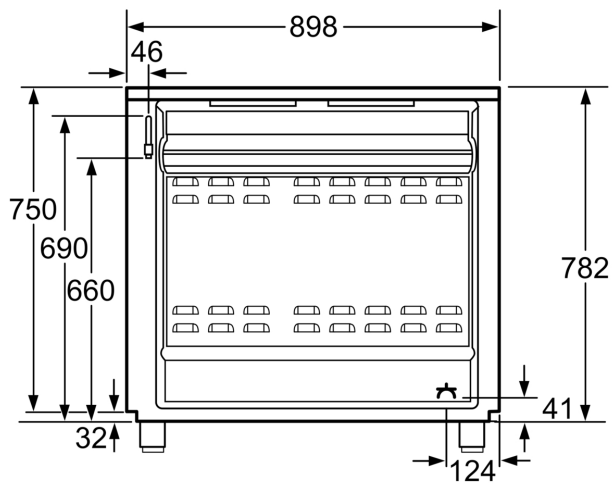
**Series 6, Dual fuel range cooker,
Stainless steel
HSB738357A**



measurements in mm



measurements in mm



measurements in mm