

**Series 6, French Door Bottom freezer, multi door, 183 x 90.5 cm, Brushed black steel anti-fingerprint KFD96AXEAA**



**The Multi Door fridge freezer combination: step into a XXL world of freshness with VitaFresh <0°C> XXL. Say goodbye to defrosting headaches and hello to an endless supply of filtered water and ice at your fingertips.**

- **VitaFresh XXL <0°C>**: keeps food fresh for longer in extra-large climate-controlled fridge drawers.
- **More flexibility, more space with the Multi Purpose Shelf.**
- **XXL capacity: extra space for your food when you need it.**
- **Metal Backwall with Multi Airflow:** evenly circulates cool, fresh air to maintain consistent temperatures.
- **LED lighting: keep your groceries in perfect view.**

---

Annual energy consumption AU: .....	425 kWh
Total unit net capacity: .....	574 l
Refrigerator Net capacity: .....	375 l
Freezer Net capacity: .....	200 l
Airborne acoustical noise emissions: .....	38 dB(A) re 1pW
Noise level class: .....	C
Built-in / Free-standing: .....	Free-standing
Door panel options: .....	Not possible
Height: .....	1830 mm
Width of the appliance: .....	905 mm
Depth of the product: .....	731 mm
Net weight: .....	138.5 kg
Fuse protection: .....	10 A
Door hinge: .....	left and right
Voltage: .....	220-240 V
Frequency: .....	50 Hz
Length electrical supply cord: .....	240.0 cm
Storage Period in Event of Power Failure (h): .....	15 h
Number of compressors: .....	1
Number of independent cooling systems: .....	1
Interior ventilator: .....	Yes
Reversible Door Hinge: .....	No
Number of Adjustable Shelves in fridge compartment: .....	4
Shelves for Bottles: .....	Yes
Frost free system: .....	Fridge and freezer
Installation typology: .....	Free-standing

---



**Series 6, French Door Bottom  
freezer, multi door, 183 x 90.5 cm,  
Brushed black steel anti-fingerprint  
KFD96AXEAA**

**The Multi Door fridge freezer combination:  
step into a XXL world of freshness with  
VitaFresh <0°C> XXL. Say goodbye to  
defrosting headaches and hello to an  
endless supply of filtered water and ice at  
your fingertips.**

---

- Total No Frost - never defrost again and no water on the fridge back wall

**Design**

- Black inox-antifingerprint doors and cast iron look side panels

**Performance & Consumption**

- 4 Stars (AU).
- Energy consumption 425 kWh/year.
- Net capacity, total: 574 l
- Net Freezer Volume : 200 l
- Noise Level : 38 dB
- LED interior light lighting

**Convenience & Safety**

- Separate temperature control for cooling and freezing section
- 7 segment electronic control
- Child lock, Sabbath-Mode, Economy setting, Holiday mode
- Home Connect: Remote Monitoring and Control
- SuperCooling Function - Automatically brings down the temperature of the refrigerator to cool new groceries rapidly
- 1 VitaFresh drawer on rails with humidity control - Fruits and vegetables retain vitamins and stay fresh for longer.
- , 1 VitaFresh 0°C drawer - Fish and meat stay fresh
- Fridge : 5 non-spill safety glass shelves, 4 height-adjustable
- acoustic for Fridge and Freeze, Optical warning system Door open

**Ice and Water**

- Automatic ice cube maker
- ice product.rate/day icem kg: 5 kg

**Freezer Compartment**

- Fast freeze function - Automatically brings down the temperature of the freezer to cool new items rapidly
- Freezing capacity 24h: 13 kg
- FreezerLight

**Technical Information**

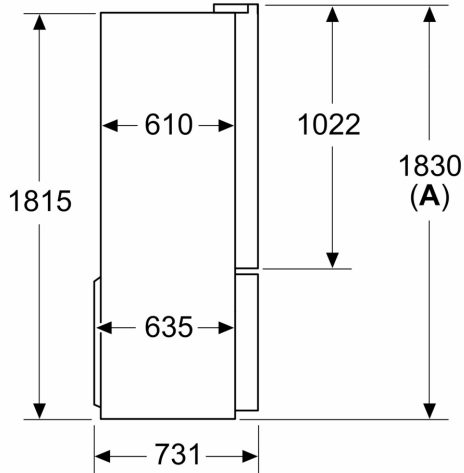
- Climate Class: SN-T
- Voltage 220 - 240 V
- Connection Length (water supply):300 cm
- Length of power cord: 240 cm

**Dimensions**

- Dimensions ( H x W x D): 1830 mm x 905 mm x 731 mm

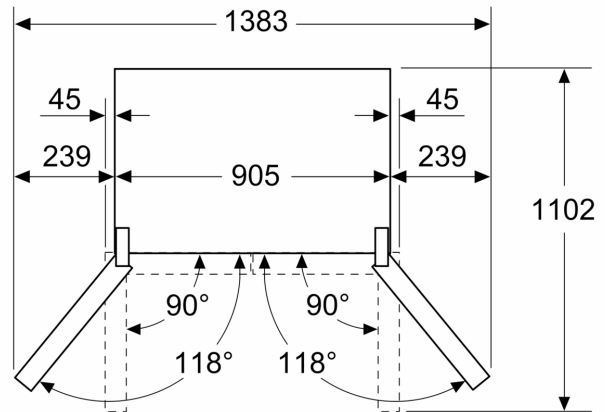
**Series 6, French Door Bottom  
freezer, multi door, 183 x 90.5 cm,  
Brushed black steel anti-fingerprint  
KFD96AXEAA**

Measurements in mm

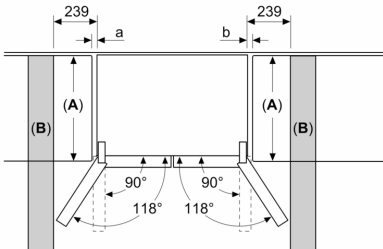


**A:** Front is adjustable 1830–1847 mm, with front levelling feet fully extended

Measurements in mm



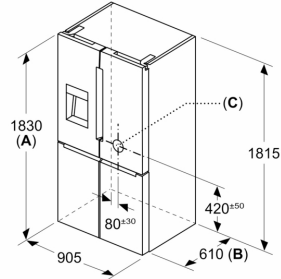
Measurements in mm



A	a	b
≤ 600	0	0
600 < A ≤ 650	45	45
650 < A ≤ 700	60	60
> 700	239	239

**A:** Kitchen cabinet or worktop depth  
**B:** Wall  
Drawers can be pulled and taken out with door open to 90°

Measurements in mm



**A:** Front is adjustable 1830–1847 mm, with front levelling feet fully extended  
**B:** Add 25 mm for fixed spacers on back  
**C:** Water connection position