

**Series 8, fully-integrated dishwasher,  
60 cm, Tall Tub, variohinge  
SBT8ZC801A**



**PerfectDry dishwasher with Zeolith Drying technology and Push-to-open door**

- **PerfectDry:** perfect drying results with low energy consumption even with hard-to-dry items.
- **Hygiene level validated for Eco 50°C and higher levels with Intensive 70°C and Machine Care programmes**
- **Max Flex Pro baskets:** easy loading with protection for your dishes.
- **Third loading level for cutlery & utensils:** Provides extra loading flexibility and convenience for cutlery, cups, and large utensils.
- **3 Level Top basket**

Maximum number of place settings: ..... 15  
 Water consumption in litres per cycle of the eco programme: ... 12.2 l  
 Built-in / Free-standing: ..... Built-in  
 Height of removable worktop: ..... 0 mm  
 Dimensions of the product (HxWxD): ..... 865 x 598 x 550 mm  
 Required niche size for installation (HxWxD): ..... 865-925 x 600 x 550 mm  
 Depth with open door 90 degree: ..... 1200 mm  
 Adjustable feet: ..... Yes - all from front  
 Maximum adjustability feet: ..... 60 mm  
 Adjustable plinth: ..... Both horizontal and vertical  
 Net weight: ..... 49.1 kg  
 Gross weight: ..... 51.0 kg  
 Connection rating: ..... 2400 W  
 Fuse protection: ..... 10 A  
 Voltage: ..... 220-240 V  
 Frequency: ..... 50; 60 Hz  
 Length electrical supply cord: ..... 175.0 cm  
 Plug type: ..... AU plug  
 Length inlet hose: ..... 165 cm  
 Length outlet hose: ..... 190 cm  
 EAN code: ..... 4242005457380  
 Installation typology: ..... Integrated

- SGZ0B11 decorative strips stainless steel 86,5cm
- SGZ0IC00 Small Item Clip for upper rack
- SGZ1010 inlet and outlet hose extension
- SGZ8B100 Connection rail for divided furniture
- SMZ2014 Rack insert for stemware dishwasher
- SMZ5000 Dishwashing aid set
- SMZ5002 Silver polishing cassette
- SMZ5045 Decor conversion kit, stainless steel
- SMZ5300 GlassSecure Tray



## Series 8, fully-integrated dishwasher, 60 cm, Tall Tub, variohinge SBT8ZC801A

### PerfectDry dishwasher with Zeolith Drying technology and Push-to-open door

#### Capacity

- Capacity: 15 place settings

#### Consumption rates

- 4.5 Stars Star energy rating, 5,0 stars Star WELS water rating. D02913.
- Water consumption of 12.2 litres per wash using Eco AU in accordance with AS/NZS 6400 and Energy consumption of 206 kWh per year using the Eco AU program seven times per week. Consumption is based on cold water connection and is tested in accordance with AS/NZS 2007.2

#### Design

- Stainless steel interior tub
- EmotionLight: Internal lighting for increased visibility
- High definition TFT display screen
- SoftTouch buttons: Electronic soft-touch activated buttons
- Hidden control buttons integrated into the top of the door
- Vario Hinge: The door hinge allows the decorative door panel to slide upwards while opening, allowing for reduced plinth height (minimum 5cm)
- Gap Illumination: The gap between the dishwasher door and kitchen cabinetry (upper left) discreetly glows when the dishwasher is in operation

#### Wash Programs and Options

- 8 Programmes:
- Eco Wash : Energy efficient wash & dry. Mixed loads & soil levels,
- Auto Intensive: for pots & pans and baked-on food & grease.,
- Auto wash: Wash & dry program for mixed loads and soil levels,
- Auto Gentle: Automatic wash & dry program for delicate and lightly soiled dishes,
- Short wash: quick wash & dry 89 min program for mixed loads & soil levels.,
- Express wash: Wash only for lightly soiled dishes,
- ExtraQuiet: extended quiet wash & dry program for mixed loads & soil levels,
- Favourite: set or download your favourite combination
- 5 special options:
- Remote Start: allows remote control and monitoring via HomeConnect,
- Extra Dry: Provides an even better drying result by extending the drying time,
- Intensive Zone: Intensive wash for items in the bottom basket,
- HygienePlus: Reduces bacteria from utensils & crockery,
- Speedperfect: reduce wash time even after cycle has started
- Machine care program: maintains your dishwasher's optimum performance and hygiene Option
- Add-On function via Home Connect app: Silence on demand

#### Performance

- Zeolith® Drying Technology: Unique ground-breaking technology absorbs water molecules in order to dry dishes quicker with

ultimate energy efficiency

- hydroDry heat exchanger assists with condensation to help dry dishes
- AquaSensor™ technology: Regulates the water usage depending on the type and degree of soiling
- Extra Clean Zone: Provides an even better cleaning result for items placed directly over the three rotating nozzles in the top basket
- DosageAssist™: Maximises the effectiveness of detergent tablets. The tablet is dropped into a specially engineered tray and is completely dissolved. For superior cleaning performance and a quieter wash.
- EcoSilence Drive® quiet and energy-efficient brushless motor (BLDC)
- BLDC Main Pump: Variable water & spray pressure to achieve optimum cleaning results BLDC Drain Pump: Fast and extra quiet draining of water, no gargling sounds
- AutoBrilliance™: Automatic detergent and rinse aid sensor
- 3 stage self-cleaning filter system: design that helps reduce the need to wash the filter and prevents blockages
- 5 Spray levels for maximum water contact and optimum wash results
- Very quiet operation - 42 dB

#### Flexibility

- VarioDrawer™ Pro: Third loading level for cutlery & utensils
- Basket system with red coloured touchpoints provides total flexibility for all loading requirements
- RackmaticPlus™: 3-stage top basket can be adjusted to three height levels to maximise convenience
- 6 foldable plate racks in top basket
- 8 foldable plate racks in bottom basket
- 2 foldable cup shelves with soft silicone edges in top basket
- Glass rack in lower basket for tall stemmed glasses
- Moveable cutlery basket in lower basket
- Rack Stopper to prevent derailing of bottom basket
- Anti-slip protection strips in upper rack
- 12.2 l water consumption per wash based on Cold water connection, using Eco Wash program. In accordance with AS/NZS 6400

#### Convenience

- DoorOpen Assist - a push to open door system, perfect for handleless kitchens
- HomeConnect via WiFi Connectivity
- Time delay start: Delay program start time by 1-24 hours to suit your schedule
- Audible program end
- Large item spray head: For washing extra large items such as baking trays, Vapour barrier protection plate

#### Safety

- Child-proof door lock (double push to open)
- AquaStop™ Plus: Water supply device with lifetime anti-flood protection

#### Product Dimensions (H x W x D)

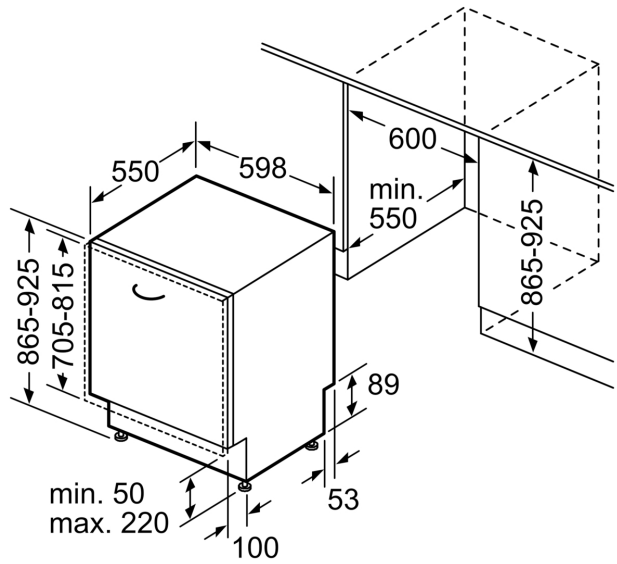
- Height 865-925 x Width 598 mm x Depth 550 mm

**Series 8, fully-integrated dishwasher,  
60 cm, Tall Tub, variohinge  
SBT8ZC801A**

measurements in mm



⌘ socket  
( ) values with extension kit



measurements in mm