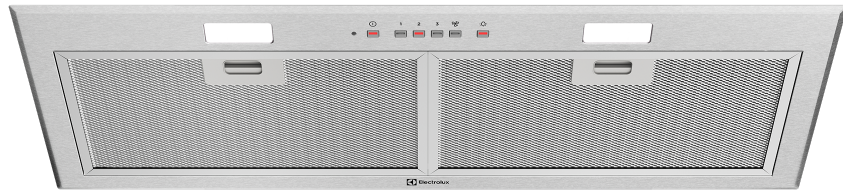


86cm integrated rangehood with Hob2Hood, 720m³/hr extraction rate, 3 fan speed plus PowerBoost, and dishwasher safe filters. ONLY AVAILABLE COMMERCIALY



Product Details

FEATURES

Max airflow of 720m³/h

Hob2Hood

Delay off

PowerBoost

4 speed fan

LED lighting

Filter indicator

Dishwasher safe filters

Auto thermal cut-out safety switch

BENEFITS

The hands-free hood

When paired with a compatible Electrolux cooking hob, Hob2Hood automatically switches it on as you start cooking and adjusts the fan speed based on how you are using your hob. This means you can boil, sear or stir-fry without having to touch your hood with greasy fingers.

Extra extraction

When intensely fragranced foods such as onions and garlic hit smoking oil in the wok or pan, it's time to use PowerBoost. Simply increase the airflow for a minute to prevent strong odours from lingering.

Clear the kitchen air

When you are done cooking and activate the switch off the hood option, the hood will initiate the delay-off function, keeping the hood on for a little longer. With the built-in timer, the hood will continue to eliminate odours and ensure that your kitchen remains smelling fresh after you have finished cooking. So while you are eating, the hood will turn off automatically after 5 minutes.

Specifications

PRODUCT PROFILE

Domestic warranty details (yrs) 2

Type of Rangehood integrated under cupboard

Nominal width (cm) 86

Finish of Rangehood stainless steel

DIMENSIONS

Total product height (mm) 249

Total product width (mm) 866

Total product depth (mm) 292

MOTOR/FAN

Number of fans 1

Number of fans speeds 3

Type of motor tangential

Perimeter extraction No

Maximum airflow M3/Hr 720

Noise level dB high 69

Noise level dB low 53

Number of motors 1

Wattage of motor 305

POWER

Electricity supply required (Kw) 0.305

DIMENSIONS

Diameter of ducting (mm)	150
--------------------------	-----

Minimum installation height from cooking surface Gas (mm)	620
---	-----

Minimum installation height from cooking surface Electric (mm)	600
--	-----

Cut out width (mm)	833
--------------------	-----

Cut out depth (mm)	262
--------------------	-----

CONTROLS

Control panel	electronic push button
---------------	------------------------

Safety/ display indicators	clean filter indicator, auto thermal cutout safety switch
----------------------------	---

LED speed display	Yes
-------------------	-----

Hob2Hood function	Yes
-------------------	-----

LIGHTS

Number of lights	2
------------------	---

FILTERS

Number of filters	2
-------------------	---

Type of filter	multilayer aluminum micromesh filters
----------------	---------------------------------------

Dishwasher safe	Yes
-----------------	-----

DUCTING / RECIRCULATION

Ducting	optional accessory
---------	--------------------

LIGHTS

Wattage of light	3.5
Type of light	LED

DUCTING / RECIRCULATION

Top or rear duct hole	top
Recirculation option	Yes
Recirculation kit	optional accessory
Front recirculating option	No
Type of filter	Carbon
Filter	Optional
Number of optional filters required	two
Ducting diameter (mm)	150

SHIPPING

Shipping Volume (m3)	0.15
Shipping Weight (Kg)	11.5
Product Weight (Kg)	9
Pack Dimensions Height (mm)	430
Pack Dimension Width (mm)	980

STUFFING QUANTITIES

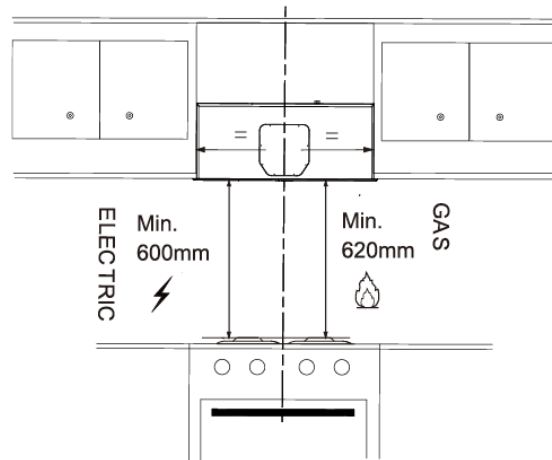
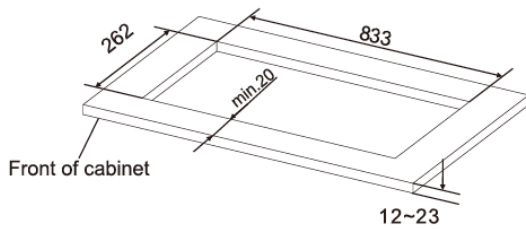
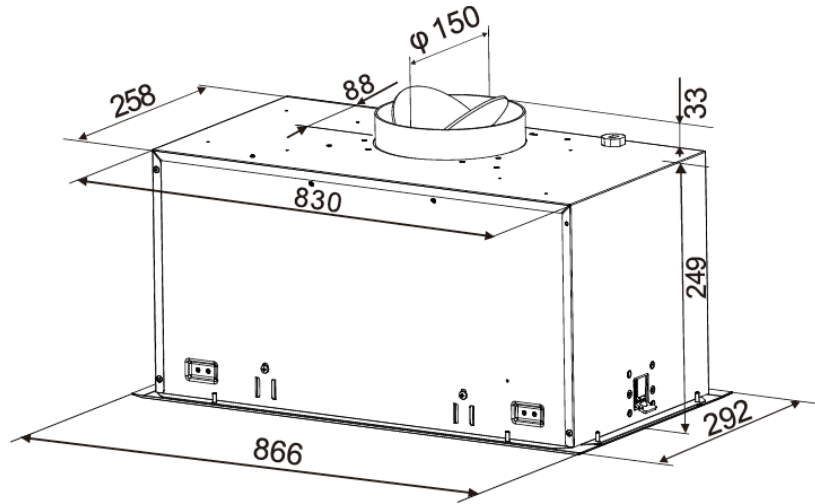
20ft	170
40ft	367
40ft HC	432

SHIPPING

Pack Dimension Depth (mm)	365
------------------------------	-----

Dimensions

Model:
ERI812SE



Terms and Conditions

IMPORTANT

This is a guide of product dimensions only. For complete installation instructions, refer to the manual provided with product.

PRODUCT INFORMATION

The descriptors and illustrations in this publication apply to the specific products and models described as at the date of issue. Under our policy of continuous product development, product specifications may change without notice. Prospective purchasers should therefore check with their retailer to ensure this publication correctly describes the products that are being offered for sale. All information supplied is to be used for general reference purposes only and is on the understanding that Electrolux Home Products Pty Ltd (Australia) and Electrolux (NZ) Ltd (New Zealand) will not be liable for any loss, liability or damage of whatever kind arising as a result of reliance on such information. Colours of products illustrated are as close as printing limitations allow. Electrolux will at all times comply with its obligations pursuant to law including Trade Practices (Australian Consumer Law) Act and Regulations.

WARRANTY

This warranty only applies to Appliances purchased and used in Australia or New Zealand and used in normal domestic applications and is in addition to (and does not exclude, restrict, or modify in any way) any non-excludable statutory warranties in Australia or New Zealand. All warranties are subject to the conditions set out in the warranty card accompanying the product when purchased.

ELECTROLUX HOME PRODUCTS AUSTRALIA

telephone: 1300 363 640

fax: 1800 350 067

email: customercare@electrolux.com.au

web: www.electrolux.com.au

ELECTROLUX HOME PRODUCTS NEW ZEALAND

telephone: 09 573 2230

fax: 09 573 2221

email: customercare@electrolux.co.nz

web: www.electrolux.co.nz