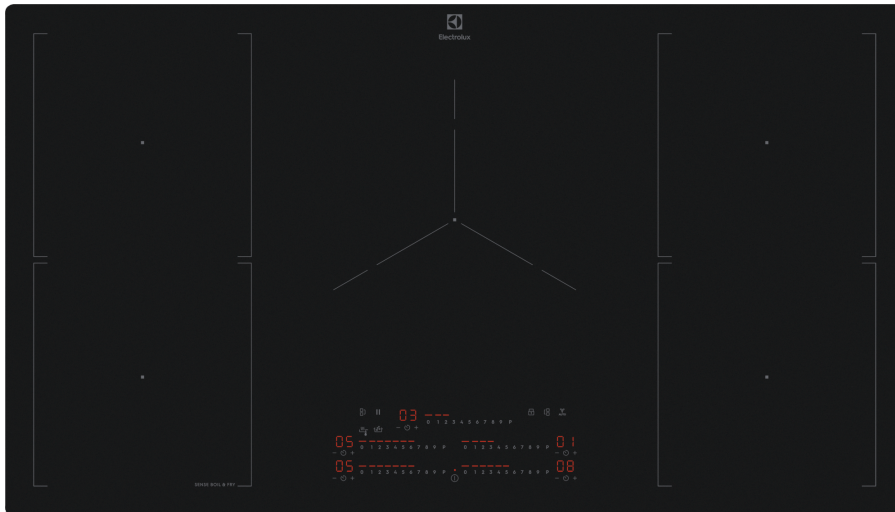


**90cm 5 zone induction cooktop with SaphirMatt SE surface, SenseBoil&Fry, Double Bridge, MaxiZone, PowerBoost and Hob2Hood capability**



## Product Details

### FEATURES

---

#### SaphirMatt SE

SaphirMatt SE hobs combine smooth matte-black elegance with durable performance. Designed to enhance every kitchen, looking new for longer with up to 3X less visible scratches than our standard ceramic glass hobs\*. \*Based on abrasion tests conducted by an external Swiss laboratory in accordance with international standard IEC 60068-2-70. Scratch visibility is assessed internally in comparison to our standard ceramic glass hobs without special treatment or coating.

#### Matte Black Design

#### SenseFry

Instant control with PowerSlide

---

#### DoubleBridge function

#### MaxiZone

#### PowerBoost

Hob2Hood technology

---

Touch and slide controls  
Touch the control bar at the necessary heat setting

#### STOP + GO function

#### Timer and minute minder

---

### BENEFITS

---

**3 YEAR WARRANTY**

Because peace of mind should last as long as great design, this product has three years of trusted Electrolux support.

\*Available for purchases after 1 March 2026.

**FEWER VISIBLE SCRATCHES, FOR LASTING ELEGANCE**

SaphirMatt SE hobs combine smooth matte-black elegance with durable performance. Designed to enhance every kitchen, looking new for longer with up to 3X less visible scratches than our standard ceramic glass hobs\*. \*Based on abrasion tests conducted by an external Swiss laboratory in accordance with international standard IEC 60068-2-70. Scratch visibility is assessed internally in comparison to our standard ceramic glass hobs without special treatment or coating.

**SMART SENSORS, OPTIMAL RESULTS**

No more boil-overs or burnt food. With SenseBoil & Fry, smart sensors intuitively lower the cooktops heat, preventing your pot from boiling over or your fried food from burning for even and consistent results

**TWICE THE COOKING SPACE**

Need extra space? DoubleBridge combines two zones into one larger surface, balancing heat and timing automatically. Its Ideal for plancha grill plates, large pots and roasting pans.

**HANDS-FREE HOOD**

The hoods fan speed adjusts automatically while you cook, keeping the air clean and fresh so you can focus on your favourite dishes.

**SEAR. STIR-FRY. BOIL.**

Instant heat when you need it. PowerBoost delivers a quick burst of heat for rapid boiling, searing, and stir-frying, then automatically adjusts to keep your cooking steady.

**TIMED TO PERFECTION**

Set individual timers for each cooking zone that automatically switch off when time is up. Perfect for multi-tasking, whether preparing for dinner party guests or a family gathering.

**INTUITIVE TOUCH CONTROLS**

Sensitive touch controls take you from simmering to boiling and back again, almost instantly. This controllability allows you to apply precise changes that can take your dishes from tasty to truly delicious. Pan-sear steak with intense heat, and then instantly drop the temperature down to protect that beautifully juicy, medium-rare texture.

## Specifications

### PRODUCT PROFILE

Domestic warranty details (yrs)	3
Cooktop type	induction
Materials/Colour	matte black

### DIMENSIONS

Total product height (mm)	49
Total product width (mm)	900
Total product depth (mm)	510
Cut out width (mm)	880
Cut out depth (mm)	490

### CONTROLS

Controls of Cooktops	Touch and Slide controls
Functions of Cooktops	timer,automatic switch off,Hob2Hood,Bridging,PowerBoost,MaxiZone,acoustic signal,pause,Child-lock,SenseBoil & Fry
Indicators/display	3 level residual heat indicator
Features of Cooktop	safety cut off,electronic timer,minute minder,function lock,hot surface indicator,MaxiZone,Hob2Hood,safety child lock,key lock function,sound off,Bridge zone
Timer of Cooktop	Minute minder

### ELEMENTS/BURNERS

#### LEFT FRONT ZONE

Left front zone	Bridge
Left front Watts	2300
Left front boost watts	3200
Left front diameter mm	210

**LEFT REAR ZONE**

---

Left rear zone	Bridge
----------------	--------

---

Left rear watts	2300
-----------------	------

---

Left rear diameter mm	210
-----------------------	-----

---

**RIGHT FRONT ZONE**

---

Right front zone	Bridge
------------------	--------

---

Right front Watts	2300
-------------------	------

---

Right front diameter mm	210
-------------------------	-----

---

**ELECTRICAL SPECIFICATIONS**

---

Connected load KW	7.35
-------------------	------

---

Maximum current rating (amps)	32
----------------------------------	----

---

Type of connection	hardwired
--------------------	-----------

---

**CENTRE FRONT ZONE**

---

Centre front zone	MaxiZone
-------------------	----------

---

Centre front Watts	1800
--------------------	------

---

Centre front diameter mm	280
--------------------------	-----

---

**RIGHT REAR ZONE**

---

Right rear zone	Bridge
-----------------	--------

---

Right rear watts	2300
------------------	------

---

Right rear diameter mm	210
------------------------	-----

---

**SHIPPING**

---

Shipping Weight (Kg)	17.9
----------------------	------

---

Pack Dimensions Height (mm)	135
--------------------------------	-----

---

Pack Dimension Width (mm)	1005
------------------------------	------

---

Pack Dimension Depth (mm)	630
------------------------------	-----

---

**STUFFING QUANTITIES**

---

20ft	200
------	-----

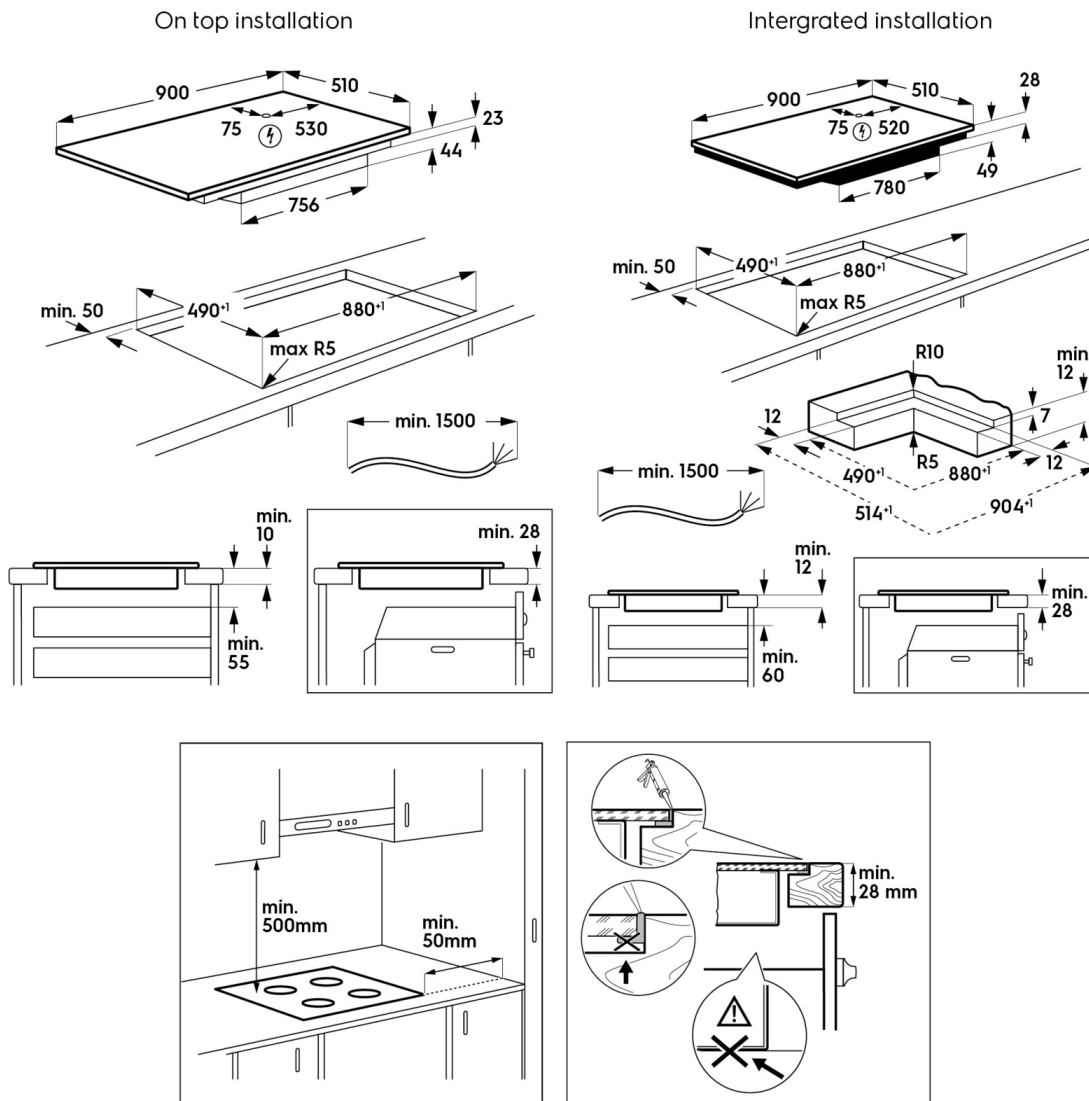
---

40ft	440
------	-----

---

# Dimensions

**Model:**  
KIS97550IT



© 2025 Electrolux S.E.A PTE. LTD. ELX\_IM\_Diag\_KIS97550IT\_Jul25

## Terms and Conditions

### IMPORTANT

This is a guide of product dimensions only. For complete installation instructions, refer to the manual provided with product.

### PRODUCT INFORMATION

The descriptors and illustrations in this publication apply to the specific products and models described as at the date of issue. Under our policy of continuous product development, product specifications may change without notice. Prospective purchasers should therefore check with their retailer to ensure this publication correctly describes the products that are being offered for sale. All information supplied is to be used for general reference purposes only and is on the understanding that Electrolux Home Products Pty Ltd (Australia) and Electrolux (NZ) Ltd (New Zealand) will not be liable for any loss, liability or damage of whatever kind arising as a result of reliance on such information. Colours of products illustrated are as close as printing limitations allow. Electrolux will at all times comply with its obligations pursuant to law including Trade Practices (Australian Consumer Law) Act and Regulations.

### WARRANTY

This warranty only applies to Appliances purchased and used in Australia or New Zealand and used in normal domestic applications and is in addition to (and does not exclude, restrict, or modify in any way) any non-excludable statutory warranties in Australia or New Zealand. All warranties are subject to the conditions set out in the warranty card accompanying the product when purchased.

#### ELECTROLUX HOME PRODUCTS AUSTRALIA

telephone: 1300 363 640

fax: 1800 350 067

email: [customercare@electrolux.com.au](mailto:customercare@electrolux.com.au)

web: [www.electrolux.com.au](http://www.electrolux.com.au)

#### ELECTROLUX HOME PRODUCTS NEW ZEALAND

telephone: 09 573 2230

fax: 09 573 2221

email: [customercare@electrolux.co.nz](mailto:customercare@electrolux.co.nz)

web: [www.electrolux.co.nz](http://www.electrolux.co.nz)