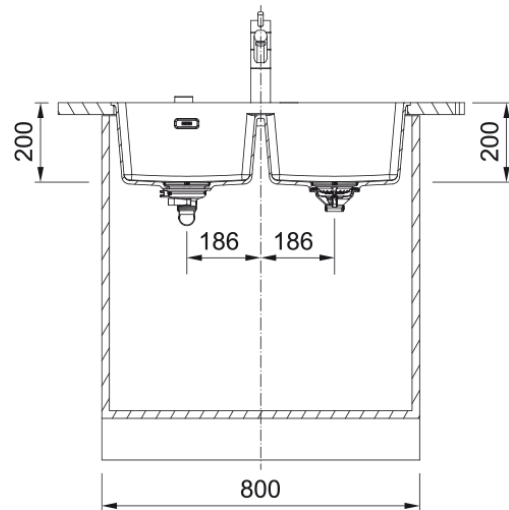
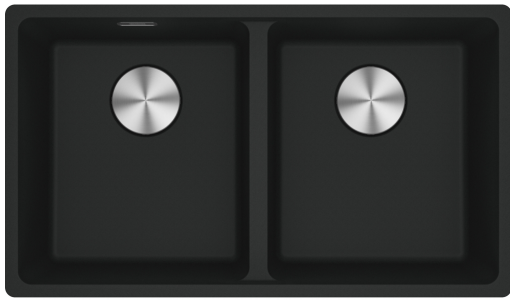


MRG120/220-35-35MB Maris Double Bowl | 135.0708.614



The Maris sink made of Fraganite is particularly elegant and brings a natural look into your kitchen. Thanks to its unique design the Maris sink brings an innovative aesthetic to the market and is perfectly shaped for outstanding performance.

Aspect

| | |
|-----------------|-------------------|
| Sink type | Bowl (no drainer) |
| Material type | Granite |
| Number of bowls | 2 |
| Colour | Matte black |
| Finish | None |

Dimensions

| | |
|----------------|-------|
| Overall length | 753.0 |
| Overall depth | 433.0 |
| Length | 345.0 |
| Depth | 400.0 |
| Height | 200.0 |
| Bowl 2: length | 345.0 |
| Bowl 2: Width | 400.0 |
| Bowl 2: height | 200.0 |

Installation

| | |
|--------------|-------|
| Cabinet size | 80 cm |
|--------------|-------|

Product features

| | |
|---------------------|------------|
| Installation type | Flushmount |
| Waste outlet | 3 1/2" |
| Position of drainer | No drainer |

Product identification

| | |
|----------------|--------|
| Brand | FRANKE |
| Product family | Maris |
| Range | Maris |

Properties

| | |
|------------|------------|
| Drainer | No drainer |
| Reversible | No |

| | |
|---------------------|-------------|
| Tap ledge | No |
| Waste kit | Yes |
| Waste kit type | Manual |
| Plumbing kit | No |
| Tap holes | No tap hole |
| Soap dispenser hole | No |