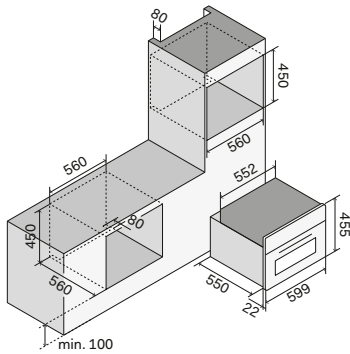


645SZTCT4

Compact 400°C electronic oven, tempered glass, 60 cm,
30-400°C



General features

- Energy class A
- Operating temperature 30-400°C
- Programmer electronic touch TFT
- Electronic temperature control
- Lighting internal light
- Door glass with four glasses (EN60335-2-6-11.101)
- High density insulation
- Ventilation cooling tangential
- Child safety

Cavity features

- Muffle AISi 304 stainless steel
- Internal dimensions (W×H×D) 44×21×40,5 cm
- Capacity 37 L
- Steam discharge controlled with dry or moist cooking option
- Thermostat with electronic probe

Consumptions

- Maximum input 3,1 kW
- Top electrical heating element 900 W
- Bottom electrical heating element 1300 W
- Electric grill 1600 W
- Circular heating element 2000 W

Colour range



Glossy
black - BK

Finishes



Matt black

Functions

