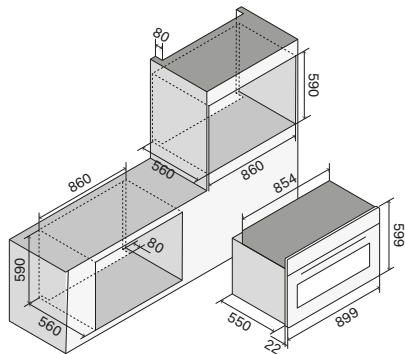


OV90SLKM3

80 cm multi-function oven, stainless steel, 90 cm, 30-300°C



General features

- Energy class A
- Operating temperature 30-300°C
- Programmer electronic
- Electronic temperature control
- Lighting double internal light
- Full glass oven door
- Soft-closing door
- Door glass with triple glasses (EN60335-2-6-11.101)
- High density insulation
- Ventilation cooling tangential

Cavity features

- Muffle with easy clean enamel
- Internal dimensions (W×H×D) 64,5×36,5×41 cm
- Capacity 97 L
- Folding grill heating element
- Thermostat with electronic probe

Consumptions

- Maximum input 3,7 kW
- Top electrical heating element 1200 W
- Bottom electrical heating element 1350 W
- Electric grill 2150 W
- Circular heating element 2100 W

Colour range



Stainless steel
- SS

Finishes



Satin

Functions



Pizza
function



Quick start



Multiple fan
cooking



Intensive
cooking



Fan grill
cooking



Grill cooking
with closed
door



Cooking
from below



Static
normal
cooking



ECO
cooking