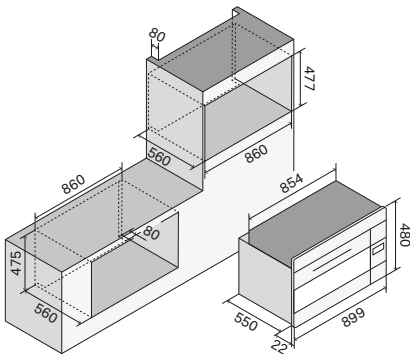


OV948SLE3

Electric oven, stainless steel, 90 cm, 30-300°C



General features

- Energy class A+
- Operating temperature 30-300°C
- Programmer electronic
- Electronic temperature control
- Cooking probe
- Lighting double internal light
- Automatic light switch-on when door opens
- Full glass oven door
- Soft-closing door
- Door glass with triple glasses (EN60335-2-6-11.101)
- High density insulation
- Ventilation cooling tangential
- Child safety

Cavity features

- Internal dimensions (W×H×D) 64,5×36,5×41 cm
- Capacity 97 L
- Folding grill heating element
- Rotisserie spit diagonal
- Thermostat with electronic probe

Consumptions

- Maximum input 3,7 kW
- Top electrical heating element 1200 W
- Bottom electrical heating element 1350 W
- Electric grill 2150 W
- Circular heating element 2100 W

Colour range



Stainless steel
- SS

Finishes



Satin

Functions



Pizza
function



Quick start



Multiple fan
cooking



Intensive
cooking



Fan grill
cooking



Grill cooking
with closed
door



Cooking
from above



Cooking
from below



Static
normal
cooking



ECO
cooking