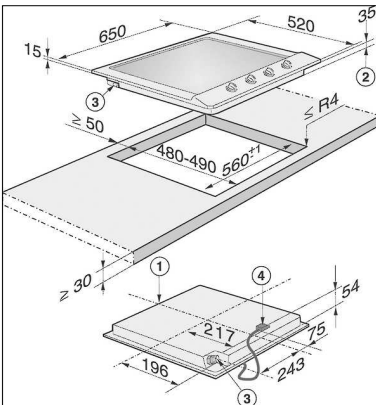


## Gas cooktop KM 2012



### Gas cooktop with a mono wok burner for special applications.

- Simple controls -single-handed operation via dial controls
- Professional design - 650 mm wide stainless steel trough
- Particularly versatile - 4 burners incl. 1 mono wok
- Extremely safe - GasStop function
- Very high-quality - enamelled cast-iron pot rests



KM2010G (Installation drawing)

1. Front
- 2 Building-in depth
3. Gas connection R 1/2 - ISO 7-1 (DIN EN 10226)
4. Mains connection box with mains connection cable, L = 2000 mm

<b>Heating type</b>	
Heating type	Gas
<b>Construction type</b>	
Independent of oven	•
<b>Design</b>	
Stainless steel trough	•
Cast iron pot rest (matt black enamelled)	•
<b>Ring details</b>	
No. of rings	4
<b>Ring</b>	
Position	front left
Type	Single wok burner
Power rating in W	3,800
<b>Ring</b>	
Position	rear left
Type	Economy burner
Power rating in W	1,000
<b>Ring</b>	
Position	rear right
Type	Standard burner
Power rating in W	1,750
<b>Ring</b>	
Position	front right
Type	Standard burner
Power rating in W	1,750
<b>User convenience</b>	
Operation via knobs	•
Electronic ignition with one-handed operation	•
<b>Safety</b>	
GasStop	•
<b>Technical data</b>	
Dimensions in mm (width)	650
Dimensions in mm (height)	35
Dimensions in mm (depth)	520
Cutout dimensions in mm (width)	560
Cutout dimensions in mm (depth)	480
Weight in kg	14
Total connected load in kW	8,3
Voltage in V	230
Fuse rating in A	10
Number of phases	1
Cable length in m	2,0
<b>Standard accessories</b>	
Connection cable	•
Jet set for liquid gas	•