

Freestanding wine conditioning unit KWT 6831 SG

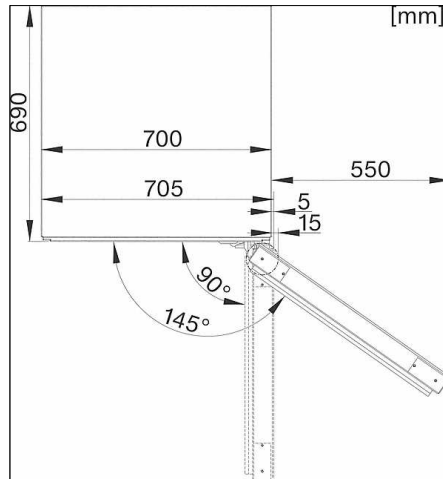


Freestanding wine conditioning unit with extra versatility and style, thanks to FlexiFrame and Miele Noteboard.

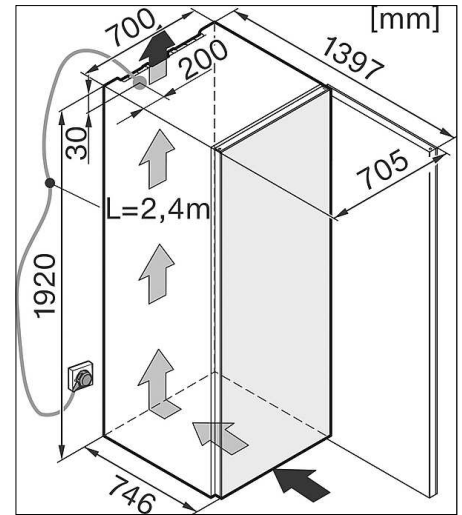
- Simultaneous wine storage in three separate temperature zones
- Odourless refrigeration section thanks to Active AirClean filters
- Put the storage of your wine in the perfect light - LED lighting
- Optimum wine protection through UV filters in tinted glass front
- Secure storage of wine bottles with pull-out racks

Appliance category	
Wine conditioning unit	•
Construction type	
Free-standing	•
Door hinge side	right
Convertible hinging	•
Design	
Casing colour	Stainless steel/Glass door
Front colour	Glass door/handle
Lighting fridge/fridge compartment	•
Type of lighting	LED
User convenience	
DynaCool	•
SoftClose door closing damper	•
Active AirClean filter and change indicator	•
Bottle presenter	•
Control	
Electronic temperature display and control	TouchControl
No. of temperature zones	3
Safety	
Lock function	•
Audible door alarm	•
Audible temperature alarm	•
Optical door alarm	•
Optical temperature alarm	•
Technical data	
Appliance width in mm	700
Appliance height in mm	1,920
Appliance depth in mm	750
Climatic classification	SN-ST
Wine conditioning zone volume in l	505
No. of 0,75 l Bordeaux bottles that can be stored	178 bottles
Current consumption in milliampere (mA)	1,000
Voltage in V	220-240
Fuse rating in A	10
Number of phases	1
Cable length in m	2,4

Freestanding wine conditioning unit KWT 6831 SG



KWT6831SG, KWT6832SGS (Installation drawings)



KWT6831SG, KWT6832SGS (Installation drawings)