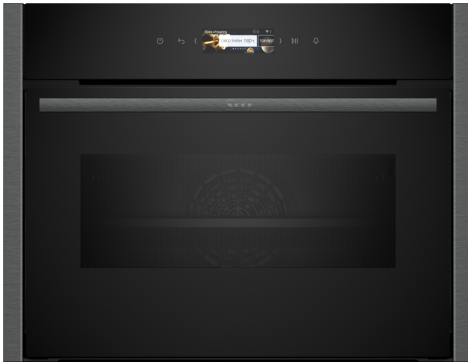


*N 70, BUILT-IN COMPACT OVEN WITH
MICROWAVE FUNCTION, 60 X 45 CM,
GRAPHITE-GREY
C24MR21G0B*



Compact built-in oven with microwave - to cook quickly and conveniently in a very small space. Home Connect for control via the App.

- ✓ 3,7" Full Touch TFT Display - Intuitive navigation for easy use and complete control.
- ✓ Circo Therm® - Even heat distribution for perfect results on one level.
- ✓ Easy Clean - this cleaning aid provides fast, energy-saving cleaning of the oven interior.
- ✓ Home Connect - Control your oven via the App.
- ✓ Combined microwave and oven - the convenient solution to save space and time

Z11SZ60G0 SeamlessCombination 45 + 14cm, Z11SZ90G0 SeamlessCombination 60 + 45cm, Z12CB10A0 Baking tray, enamelled, Z12CM10A0 Moussaka pan, enamelled, Z12CP10A0 Pizza pan, enamelled, Z12CU10A0 Multipurpose pan, enamelled, Z13CR10X0 Baking and roasting grid (steam), Z13CV05S0 Cover Strip, Z13CV06S0 Decor strip, Z1650BE0 Half tray, Z1655CA0 Air Fry & Grill tray, Z1913X0 Baking Stone, Z11AB15A0 Baking tray, non-stick ceramic coated, Z11AU15A0 Universal pan, non-stick ceramic coated, Z11CR10X0 Baking and roasting grid (standard), Z11GU20X0 Glasspan, Z11SZ00X0 SeamlessCombination mounting kit

Type of micro-wave oven:MW-Combi
 Color / Material Front:Graphite-Grey
 Built-in / Free-standing: Built-in
 Door opening:Handle
 Door colour: Black
 Cleaning :Hydrolytic
 Control Panel Material:Stainless steel
 Dimensions (HxWxD): 455x596x548 mm
 Dimensions of the packed product (HxWxD): . 530 x 670 x 680 mm
 Min. required niche size for installation (HxWxD):450-455 x 560-568 x 550 mm
 Cavity dimensions: 237.0 x 480 x 392.0 mm
 Cavity capacity: 45 l
 Maximum micro-wave power: 900 W
 Number of interior lights: 1
 Net weight: 32.6 kg
 Gross weight: 34.9 kg
 EAN code:4242004266471
 Connection Rating:3600 W
 Fuse protection: 16 A
 Voltage: 220-240 V
 Frequency: 50 Hz
 Length electrical supply cord: 150.0 cm



*N 70, BUILT-IN COMPACT OVEN WITH
MICROWAVE FUNCTION, 60 X 45 CM,
GRAPHITE-GREY
C24MR21GOB*

Heating Functions

- Compact oven with microwave with 16 heating methods: Top/bottom heating, Circo-roasting, Full surface grill, Centre area grill, Bottom heating, Dough proving, Plate warming, Top/bottom heating gentle, Hotair, Pure microwave, Hotair + microwave, Top/bottom heat + microwave, grill + microwave, half width grill + microwave, hotair grilling + microwave
- Heating methods only via Home Connect App: air fry, let rest, preheating
- Max. Power: 900 W; 5 Microwave power settings (90 W, 180 W, 360 W, 600 W, boost) with Inverter (MW)
- Intelligent inverter technology: maximum output power will be regulated to 600 W when used in longer operation
- Temperature range 30 °C - 230 °C
- Cavity volume: 45 net usable litres

Hook-in racks / rails

- Number of shelf levels: 3

Design

- Graphite-Grey Edition
- ShiftControl
- Cavity inner surface: enamel

Cleaning

- EasyClean® program

Convenience

- Oven Assistant with Voice Control
- 3.7" Full Touch TFT Display
- Electronic clock with start / stop function
- Automatic temperature proposal, Actual temperature display, Optical temperature control
- Drop down door
- SoftOpen door
- Automatic Meal Settings
- LED light
- Cooling fan
- Stainless-steel fan
- HomeConnect

Accessories

- 1 x combination grid, 1 x universal pan

Safety and Environment

- Low door temperature
- Triple glazed door
- Individual adjustable child lock, Safety switch off, Residual heat indicator, Start button, Door contact switch

Technical Info

- Length of mains cable: 150 cm
- Nominal voltage: 220 - 240 V

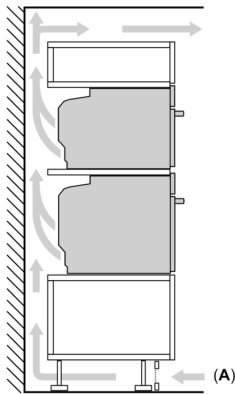
- Total connected load electric: 3.6 KW

Dimensions

- Appliance dimensions (HxWxD): 455 mm x 596 mm x 548 mm
- Installation dimensions (HxWxD): 450 mm - 455 mm x 560 mm - 568 mm x 550 mm
- Please reference the built-in dimensions provided in the installation drawing

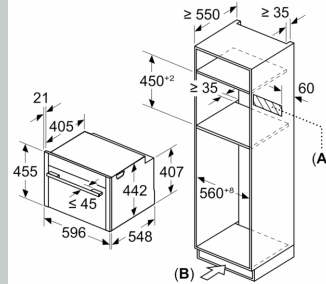
N 70, BUILT-IN COMPACT OVEN WITH
MICROWAVE FUNCTION, 60 X 45 CM,
GRAPHITE-GREY
C24MR21G0B

Installing two appliances on top of each other
Air exchange



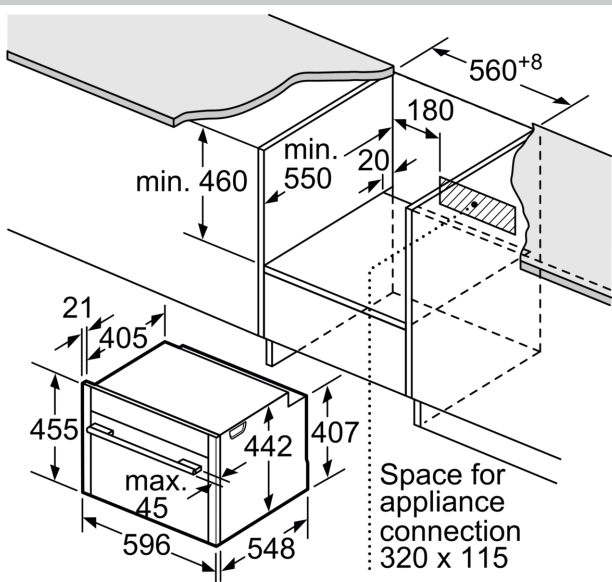
A: Air inlet $\geq 200 \text{ cm}^2$

Measurements in mm

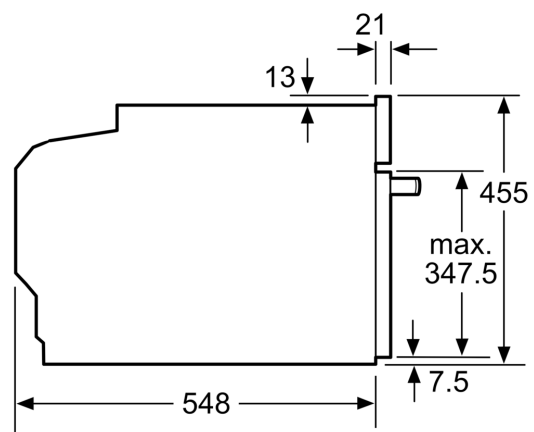


A: Space for appliance connection
320 x 115 mm

B: Ventilation space in the base $\geq 200 \text{ cm}^2$

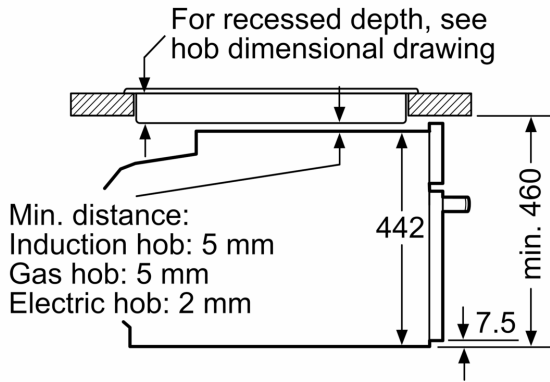


measurements in mm



measurements in mm

Installation with a hob.



measurements in mm

If the compact appliance will be installed underneath a hob, the following worktop thicknesses (including substructure if necessary) must be taken into account.

Hob type	min. worktop thickness	
	fitted	flush
Induction hob	42 mm	43 mm
Full surface Induction hob	52 mm	53 mm
Gas hob	32 mm	43 mm
Electric hob	32 mm	35 mm