

# 34 Bottle Freestanding Wine Cabinet

## Single Zone

### SERIES

Contemporary

### AESTHETICS

Black Powder Coated Finish

UV Double Glazed Door

### FUNCTIONALITY

Dual Temperature Sensor

Compressor Motor

Digital Control Panel

Tropical Rated

Ambient Temp. up to 43°C

Internal LED Lighting

Anti-vibration

Reversible Door

### TEMPERATURE RANGE

Single Zone 4°C to 22°C

### STORAGE CAPACITY

Bottle Capacity 34 Bottles

Total Capacity 98L

### ACCESSORIES

4 × Timber Shelves (Beech)

1 × Wire Rack

### CLEANING

Easy to Clean Exterior

Easy to Clean Glass Doors

Automatic Defrost

### MAX NOISE LEVEL

Quiet 39 dB(A) Operation

### WEIGHT (KG)

Net: 29kg Gross: 32kg

### SIZE, W/D/H (MM)

Packaged: 535 × 541 × 890

Physical: 470 × 475 × 840

### INSTALLATION

Freestanding

Door Open Angle: 130°

Door Open Width: 917 mm

Top Clearance Minimum 5cm

Rear Clearance Minimum 5cm

Side Clearance Minimum 5cm

### POWER REQUIREMENTS

Power Connection 10 Amp, Plug

Rated Voltage 220–240V~

Rated Frequency 50Hz

### ADDITIONAL DETAILS

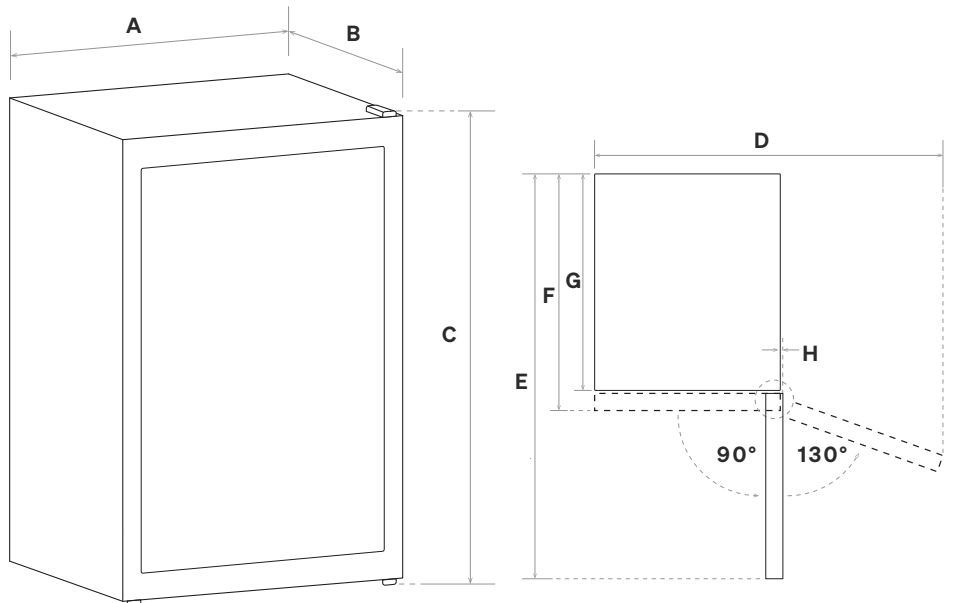
Barcode 9349260095373

Warranty 3 Years



### FRONT VIEW

Note: See the user manual for detailed ventilation and installation details



### DIMENSIONS (MM)

A 470

C 840

E 915.8

G 426.2

B 475

D 917

F 474.3

H 5.5