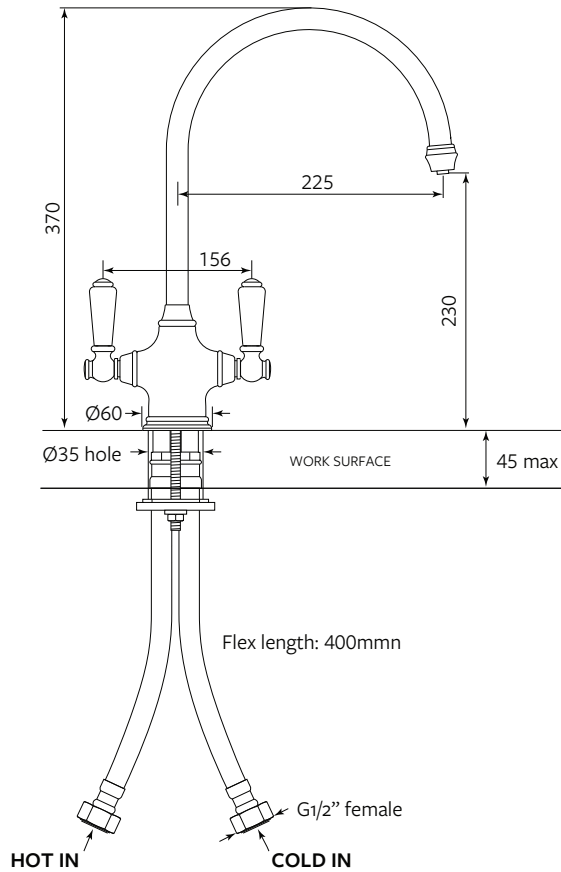


Ribble

AUSH.4460



MODEL	CODE
Ribble - Chrome	AUSH.4460CPWPC
Ribble - Nickel	AUSH.4460NIWPC
Ribble - Pewter	AUSH.4460PFWPC
Ribble - English Bronze	AUSH.4460EBWPC
Ribble - Satin Brass	AUSH.4460SBWPC
Ribble - Polished Brass	AUSH.4460BRWPC
Ribble - Gold	AUSH.4460IGWPC

Also Available: Ribble with Spray Rinse (AUSH.4360) Please note, spray rinse cannot be added to the standard mixer later.

Features include:

- Handcrafted in the United Kingdom using DZR brass
- White porcelain handles with Shaws insignia indices
- 1/4 turn German ceramic disc flow control
- Vernier insert for accurate handle alignment
- 15 Year warranty. Please visit our website for individual finish warranties

Temperature range: Min 1°C. Max 70°C

Working Pressure: Min 0.5 Bar/7.5psi. Max 5 Bar/75psi

Packed Weight: 2.8kg

Flow Rates: 1 Bar: 12L/min

2 Bar: 18.8L/min

3 Bar: 20.4L/min



WaterMark

ASINZS 3718
WMKA02818
SAI Global

Perrin & Rowe
tapware

