

White elevated electric freestanding oven with separate electric grill, fan forced electric oven, programmable timer and 4 zone ceramic cooktop.



Product Details

FEATURES

Electric fan forced oven

Handy separate grilling compartment

Easy clean formed shelf supports

Programmable timer

80L/22L capacity oven/grill

Ceramic cooktop

Hot surface indicator

BENEFITS

Fan forced for even cooking

When it comes to cooking, one of the biggest is even heat distribution over your dishes. By using fan forced cooking you are able to create an even cooking result.

Grill separately for smooth entertaining

The separate grilling compartment on selected models means you can entertain guests and cook big family meals with absolute ease and without compromising on precious oven space.

Clean your shelf supports with ease

When it comes to cleaning your oven we want it to be fuss free, given the design of our shelf supports you can clean the sides of your oven with ease as there are no racks to be removed.

Keep it on time

A contemporary digital programmable clock with 3 simple-to-operate buttons. You can automatically set the oven to turn on or off, or use the timer to keep track of your bake times.

Flexibility and Convenience

With the choice of right or left side opening you are able to flexibly choose an elevated cooker that suits your kitchen design.

Know when it is hot

The hot surface indicator allows you to clearly see when your cooking zones are on or still retaining residual heat, allowing you to keep your family safe

Built in Australia

Westinghouse, has been the heart of the home for generations and the kitchen appliance brand we have always known and trusted to build reliable products. This oven is built in a local factory in Adelaide.

Specifications

PRODUCT PROFILE

Domestic warranty details (yrs)	2
Oven fuel	electric
Materials/Colour	white
Controls of Oven	control knob
Cooling fan	No
Anti tilt plate	Yes
Swept up hob	Yes
Front/rear controls	front

MAIN OVEN

Gross capacity litres	80
Useable capacity litres	66
Oven function	fan forced
Cleaning	easy clean door

DIMENSIONS

PRODUCT DIMENSION

Total height (mm)	520
Total width (mm)	1085
Total depth (mm)	620

SECOND OVEN OR GRILL

Fold down grill element	No
Closed door grilling	No
Shelf support	grid runners
Number of shelves	1

MAIN OVEN

Timer functions	Ringer
Lights	1
Light wattage	25
Light position	rear
Layers of glass in door	2
Shelf support	easy clean formed shelf supports
Number of shelves	2
Number of shelf positions	5
Closed door grilling	No

ELECTRICAL CONNECTION

Connected load KW	10
Type of connection	hardwired

SECOND OVEN OR GRILL

Number of shelf positions	1
Layers of glass in door	1

SHIPPING

Shipping Volume (m3)	0.515
Shipping Weight (Kg)	66.5
Pack Dimensions Height (mm)	640
Pack Dimension Width (mm)	1125

STUFFING QUANTITIES

40ft	128
------	-----

40ft HC	152
---------	-----

ELEMENTS/BURNERS

Cooking zones	4
---------------	---

SHIPPING

Pack Dimension Depth (mm)	715
---------------------------	-----

COOKTOP (IF APPLICABLE)

PRODUCT PROFILE

Cook top type	ceramic
---------------	---------

Materials/Colour	black
------------------	-------

Trim finish	white enamel
-------------	--------------

Removable trim (for cleaning)	No
-------------------------------	----

Wok included designed to fit cooktop	No
--------------------------------------	----

Knob finish	white
-------------	-------

LEFT FRONT ZONE

Left front Watts	1200
------------------	------

Left front number of cooking zones	1
------------------------------------	---

LEFT REAR ZONE

Left rear zone	ceramic
----------------	---------

Left rear watts	2000
-----------------	------

Left rear number of cooking zones	1
-----------------------------------	---

RIGHT REAR ZONE

Right rear watts	1200
------------------	------

Right rear number of cooking zones	1
------------------------------------	---

RIGHT FRONT ZONE

Right front Watts	1200
-------------------	------

Right front number of cooking zones	1
-------------------------------------	---

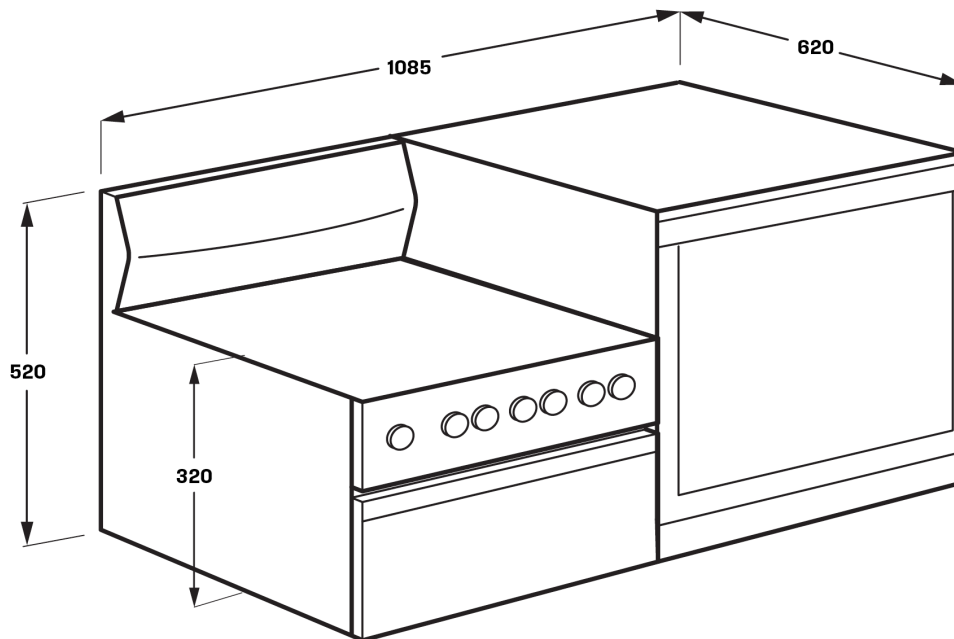
CONTROLS

Position of controls	front
----------------------	-------

Dimensions

Elevated Freestanding Cookers

WDE143WCB



IMPORTANT

These dimensions are a guide only. All measurements are in millimetres (mm). For complete installation instructions, refer to the manual provided with product.

Terms and Conditions

IMPORTANT

This is a guide of product dimensions only. For complete installation instructions, refer to the manual provided with product.

PRODUCT INFORMATION

The descriptors and illustrations in this publication apply to the specific products and models described as at the date of issue. Under our policy of continuous product development, product specifications may change without notice. Prospective purchasers should therefore check with their retailer to ensure this publication correctly describes the products that are being offered for sale. All information supplied is to be used for general reference purposes only and is on the understanding that Electrolux Home Products Pty Ltd (Australia) and Electrolux (NZ) Ltd (New Zealand) will not be liable for any loss, liability or damage of whatever kind arising as a result of reliance on such information. Colours of products illustrated are as close as printing limitations allow. Electrolux will at all times comply with its obligations pursuant to law including Trade Practices (Australian Consumer Law) Act and Regulations.

WARRANTY

This warranty only applies to Appliances purchased and used in Australia or New Zealand and used in normal domestic applications and is in addition to (and does not exclude, restrict, or modify in any way) any non-excludable statutory warranties in Australia or New Zealand. All warranties are subject to the conditions set out in the warranty card accompanying the product when purchased.

ELECTROLUX HOME PRODUCTS AUSTRALIA

telephone: 1300 363 640

fax: 1800 350 067

email: customercare@electrolux.com.au

web: www.electrolux.com.au

ELECTROLUX HOME PRODUCTS NEW ZEALAND

telephone: 09 573 2230

fax: 09 573 2221

email: customercare@electrolux.co.nz

web: www.electrolux.co.nz