

**White elevated gas freestanding oven with separate gas grill, conventional gas oven with fan, 60 minute timer and 4 burner gas cooktop with electronic ignition.**



## Product Details

### FEATURES

---

Fan bake and conventional oven

Handy separate grilling compartment

Easy clean formed shelf supports

1 hour mechanical timer

---

80L/37L capacity oven/grill

Gas cooktop

Electronic ignition

FamilySafe Flame Failure Device  
Stops the gas supply if the flame is extinguished.

---

LP conversion kit included  
(must be installed by licensed tradesman)

---

### BENEFITS

---

**Grill separately for smooth entertaining**  
The separate grilling compartment on selected models means you can entertain guests and cook big family meals with absolute ease and without compromising on precious oven space.

**Clean your shelf supports with ease**  
When it comes to cleaning your oven we want it to be fuss free, given the design of our shelf supports you can clean the sides of your oven with ease as there are no racks to be removed.

---

**Set for 1 hour**  
The mechanical timer keeps track of your cooking time for 1 hour.

**Flexibility and Convenience**  
With the choice of right or left side opening you are able to flexibly choose an elevated cooker that suits your kitchen design.

---

**Built in Australia**  
Westinghouse, has been the heart of the home for generations and the kitchen appliance brand we have always known and trusted to build reliable products. This oven is built in a local factory in Adelaide.

---

## Specifications

### PRODUCT PROFILE

---

Domestic warranty details (yrs)	2
Oven fuel	gas
Materials/Colour	white
Controls of Oven	control knob
Cooling fan	No
Anti tilt plate	Yes
Front/rear controls	front

### MAIN OVEN

---

Gross capacity litres	80
Useable capacity litres	74
Oven function	Fan Bake
Cleaning	easy clean door
Oven liner	enamel

### DIMENSIONS

---

#### PRODUCT DIMENSION

---

Total height (mm)	520
Total width (mm)	1085
Total depth (mm)	620

### SECOND OVEN OR GRILL

---

Gross capacity litres	37
Fold down grill element	No
Closed door grilling	No
Shelf support	grid runners
Number of shelf positions	3

## MAIN OVEN

---

Timer functions	Ringer
Lights	1
Light wattage	25
Light position	rear
Layers of glass in door	2
Shelf support	easy clean formed shelf supports
Number of shelves	2
Number of shelf positions	5
Safety features	flame failure safety device

## ELECTRICAL CONNECTION

---

Connected load KW	0.045
Type of connection	10A plug & lead

## SECOND OVEN OR GRILL

---

Layers of glass in door	1
-------------------------	---

## GAS SPECIFICATIONS

---

Oven burner output (NG) Mjh	11
Maximum gas rating (NG)	57.2
Maximum gas rating (LP)	56.5
Maximum power rating kW	0.045
Position of gas connection	rear

## SHIPPING

---

Shipping Weight (Kg)	66.5
----------------------	------

---

Pack Dimensions Height (mm)	640
-----------------------------	-----

---

Pack Dimension Width (mm)	1125
---------------------------	------

---

Pack Dimension Depth (mm)	715
---------------------------	-----

---

## COOKTOP (IF APPLICABLE)

---

### PRODUCT PROFILE

---

Cook top type	gas
---------------	-----

---

Materials/Colour	white enamel
------------------	--------------

---

Trim finish	white enamel
-------------	--------------

---

Removable trim (for cleaning)	No
-------------------------------	----

---

Wok included designed to fit cooktop	No
--------------------------------------	----

---

Knob finish	white
-------------	-------

---

## LEFT FRONT ZONE

---

## STUFFING QUANTITIES

---

40ft HC	12
---------	----

---

## ELEMENTS/BURNERS

---

Cooking zones	4
---------------	---

---

## LEFT REAR ZONE

---

Left front Mj/h	12.1
-----------------	------

---

Left rear zone	simmer
----------------	--------

---

Left rear Mj/h	5.1
----------------	-----

---

## RIGHT FRONT ZONE

---

Right front Mj/h	9.0
------------------	-----

---

## RIGHT REAR ZONE

---

Right rear Mj/h	9.0
-----------------	-----

---

## FEATURES

---

Trivets	enamel
---------	--------

---

Ignition type	electronic
---------------	------------

---

## CONTROLS

---

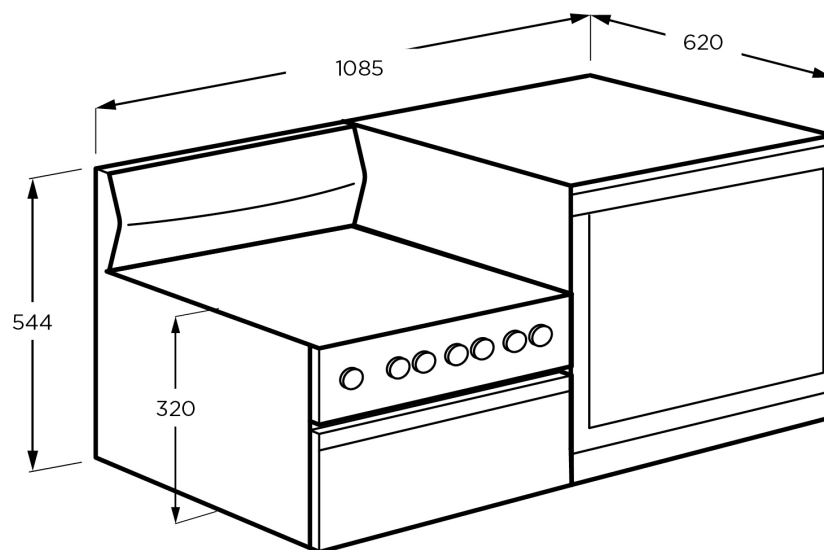
Position of controls	front
----------------------	-------

---

## Dimensions

### Elevated Freestanding Cookers

WDG110WC, WDG112WC, WDE132WC, WDE143WC



#### IMPORTANT

These dimensions are a guide only. All measurements are in millimetres (mm).  
For complete installation instructions, refer to the manual provided with product.

## Terms and Conditions

### IMPORTANT

This is a guide of product dimensions only. For complete installation instructions, refer to the manual provided with product.

### PRODUCT INFORMATION

The descriptors and illustrations in this publication apply to the specific products and models described as at the date of issue. Under our policy of continuous product development, product specifications may change without notice. Prospective purchasers should therefore check with their retailer to ensure this publication correctly describes the products that are being offered for sale. All information supplied is to be used for general reference purposes only and is on the understanding that Electrolux Home Products Pty Ltd (Australia) and Electrolux (NZ) Ltd (New Zealand) will not be liable for any loss, liability or damage of whatever kind arising as a result of reliance on such information. Colours of products illustrated are as close as printing limitations allow. Electrolux will at all times comply with its obligations pursuant to law including Trade Practices (Australian Consumer Law) Act and Regulations.

### WARRANTY

This warranty only applies to Appliances purchased and used in Australia or New Zealand and used in normal domestic applications and is in addition to (and does not exclude, restrict, or modify in any way) any non-excludable statutory warranties in Australia or New Zealand. All warranties are subject to the conditions set out in the warranty card accompanying the product when purchased.

#### ELECTROLUX HOME PRODUCTS AUSTRALIA

telephone: 1300 363 640

fax: 1800 350 067

email: [customercare@electrolux.com.au](mailto:customercare@electrolux.com.au)

web: [www.electrolux.com.au](http://www.electrolux.com.au)

#### ELECTROLUX HOME PRODUCTS NEW ZEALAND

telephone: 09 573 2230

fax: 09 573 2221

email: [customercare@electrolux.co.nz](mailto:customercare@electrolux.co.nz)

web: [www.electrolux.co.nz](http://www.electrolux.co.nz)