

**A stainless steel finish, universal rangehood with inter-locking push button controls, 600mm in width, with a 3 speed dual centrifugal fan.**



## Product Details

### FEATURES

---

Auto thermal cutout safety switch

Push button controls

3 fan speeds

2 x filters

---

Washable filters

Optional carbon filter(s)

Front re-circulating option

Top and rear duct hole options

---

Two halogen lights

---

### BENEFITS

---

#### Easy installation

The rangehood is easily installed either partially behind cupboard doors or simply under cabinetry.

#### Easy to clean

Removable filters for easy cleaning, and the rest of the rangehood is easy to maintain - simply wipe down.

---

#### Recirculation

The rangehood can recirculate into the kitchen if it is not possible to duct to the exterior. Carbon filters are recommended for recirculation.

#### Simple operation

Simple to use push button controls with 3 power settings to provide flexible air movement to manage diverse cooking demands.

---

## Specifications

### PRODUCT PROFILE

---

Domestic warranty details (yrs)	2
---------------------------------	---

---

Type of Rangehood	fixed
-------------------	-------

---

Nominal width (cm)	600
--------------------	-----

---

Finish of Rangehood	stainless steel
---------------------	-----------------

---

### DIMENSIONS

---

Total product height (mm)	160
---------------------------	-----

---

Total product width (mm)	598
--------------------------	-----

---

Total product depth (mm)	500
--------------------------	-----

---

Diameter of ducting (mm)	120
--------------------------	-----

---

Minimum installation height from cooking surface Gas (mm)	650
---	-----

---

### MOTOR/FAN

---

Number of fans	2
----------------	---

---

Number of fans speeds	3
-----------------------	---

---

Type of motor	centrifugal
---------------	-------------

---

Maximum airflow M3/Hr	360
-----------------------	-----

---

Noise level dB high	70
---------------------	----

---

Noise level dB low	62
--------------------	----

---

### CONTROLS

---

Control panel	push button
---------------	-------------

---

## DIMENSIONS

---

Minimum installation height from cooking surface Electric (mm) 600

---

## FILTERS

---

Number of filters 2

---

Type of filter multilayer aluminum micromesh filters

---

Dishwasher safe Yes

---

## DUCTING / RECIRCULATION

---

Ducting yes

---

Top or rear duct hole both

---

Recirculation option Yes

---

Recirculation kit optional accessory

---

Front recirculating option Yes

---

## LIGHTS

---

Number of lights 2

---

Wattage of light 28

---

Type of light halogen

---

## SHIPPING

---

Pack Dimensions Height (mm) 260

---

Pack Dimension Width (mm) 680

---

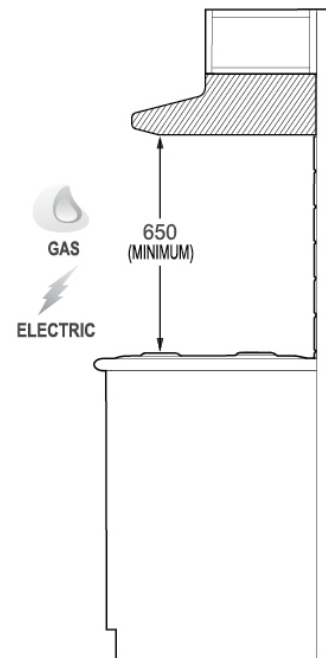
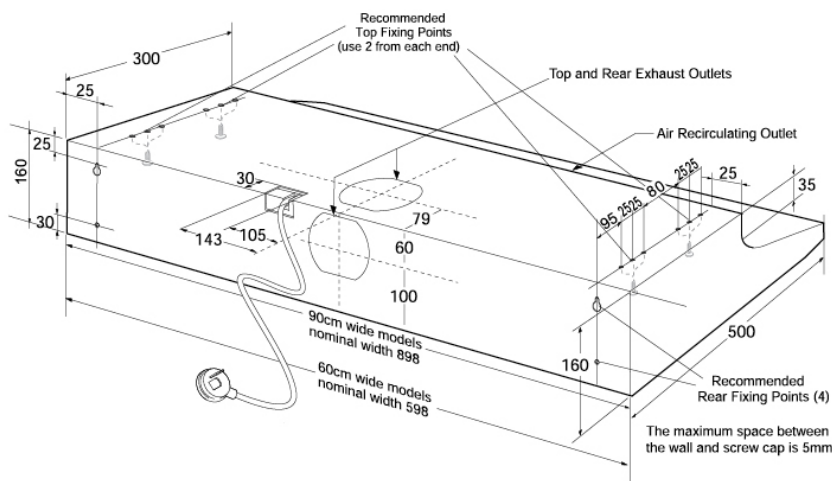
Pack Dimension Depth (mm) 590

---

# Dimensions

## Fixed rangehoods

WRF610SA/WA, WRF613SA/WA



**IMPORTANT**

These dimensions are a guide only. All measurements are in millimetres (mm). For complete installation instructions, refer to the manual provided with product.

## Terms and Conditions

### IMPORTANT

This is a guide of product dimensions only. For complete installation instructions, refer to the manual provided with product.

### PRODUCT INFORMATION

The descriptors and illustrations in this publication apply to the specific products and models described as at the date of issue. Under our policy of continuous product development, product specifications may change without notice. Prospective purchasers should therefore check with their retailer to ensure this publication correctly describes the products that are being offered for sale. All information supplied is to be used for general reference purposes only and is on the understanding that Electrolux Home Products Pty Ltd (Australia) and Electrolux (NZ) Ltd (New Zealand) will not be liable for any loss, liability or damage of whatever kind arising as a result of reliance on such information. Colours of products illustrated are as close as printing limitations allow. Electrolux will at all times comply with its obligations pursuant to law including Trade Practices (Australian Consumer Law) Act and Regulations.

### WARRANTY

This warranty only applies to Appliances purchased and used in Australia or New Zealand and used in normal domestic applications and is in addition to (and does not exclude, restrict, or modify in any way) any non-excludable statutory warranties in Australia or New Zealand. All warranties are subject to the conditions set out in the warranty card accompanying the product when purchased.

#### ELECTROLUX HOME PRODUCTS AUSTRALIA

telephone: 1300 363 640

fax: 1800 350 067

email: [customercare@electrolux.com.au](mailto:customercare@electrolux.com.au)

web: [www.electrolux.com.au](http://www.electrolux.com.au)

#### ELECTROLUX HOME PRODUCTS NEW ZEALAND

telephone: 09 573 2230

fax: 09 573 2221

email: [customercare@electrolux.co.nz](mailto:customercare@electrolux.co.nz)

web: [www.electrolux.co.nz](http://www.electrolux.co.nz)