



HydroTap G5 BAHA Celsius Plus All-In-One Brushed Bronze

Boiling Ambient



Finish: Brushed Bronze

Product code: H5M785Z15AU

Capacity: Residential

Zip HydroTap Design Range CELSIUS PLUS All-In-One Boiling & Ambient Filtered water, plus Hot and Cold washing up water from a single tap (hot and cold water supply required). The intuitive touch-pad with antimicrobial protection operates the filtered drinking water, while the lever dispenses unfiltered hot and cold water. The system features a single under bench command centre including full colour interactive touch screen display with pin code protection and customisable settings including boiling water safety mode, 3 energy saving modes including ON/OFF timers and 2 hour sleep mode, 'Quiet' mode with automated intelligent fan speed adjustment, antimicrobial protection impregnated into key water paths for enhanced hygiene, 100% water efficient air cooled technology and 0.2 micron water filtration. This product is available from selected specialist retailers.

Specifications

Product name	HydroTap G5 BAHA Celsius Plus All-In-One Brushed Bronze
Product code	H5M785Z15AU
Filtered water type	BAHA
Product approvals	WaterMark, RCM, ARC
Warranty	3-years comprehensive parts and labour or 5-years with a Zip Certified Installation

Plumbing

Water supply requirements	Cold
Water connection	1/2" BSP (G1/2)
Water valves	Integrated 500kPa Pressure limiting valve and Dual Check Valve
Water pressure	Min 250kPa - Max 700kPa

Electrical

Power rating	1.35kW 220-240V 50Hz
Power supply	1 × 10 Amp socket outlet

Tap design

Tap	Zip HydroTap Design Range CELSIUS PLUS All-In-One Tap (Brushed Bronze)
HydroTap style	Celsius Plus All-In-One
Finish	Brushed Bronze
Disability options	Unavailable

Command centre

Dimensions	W280mm x D313mm x H333mm
------------	--------------------------

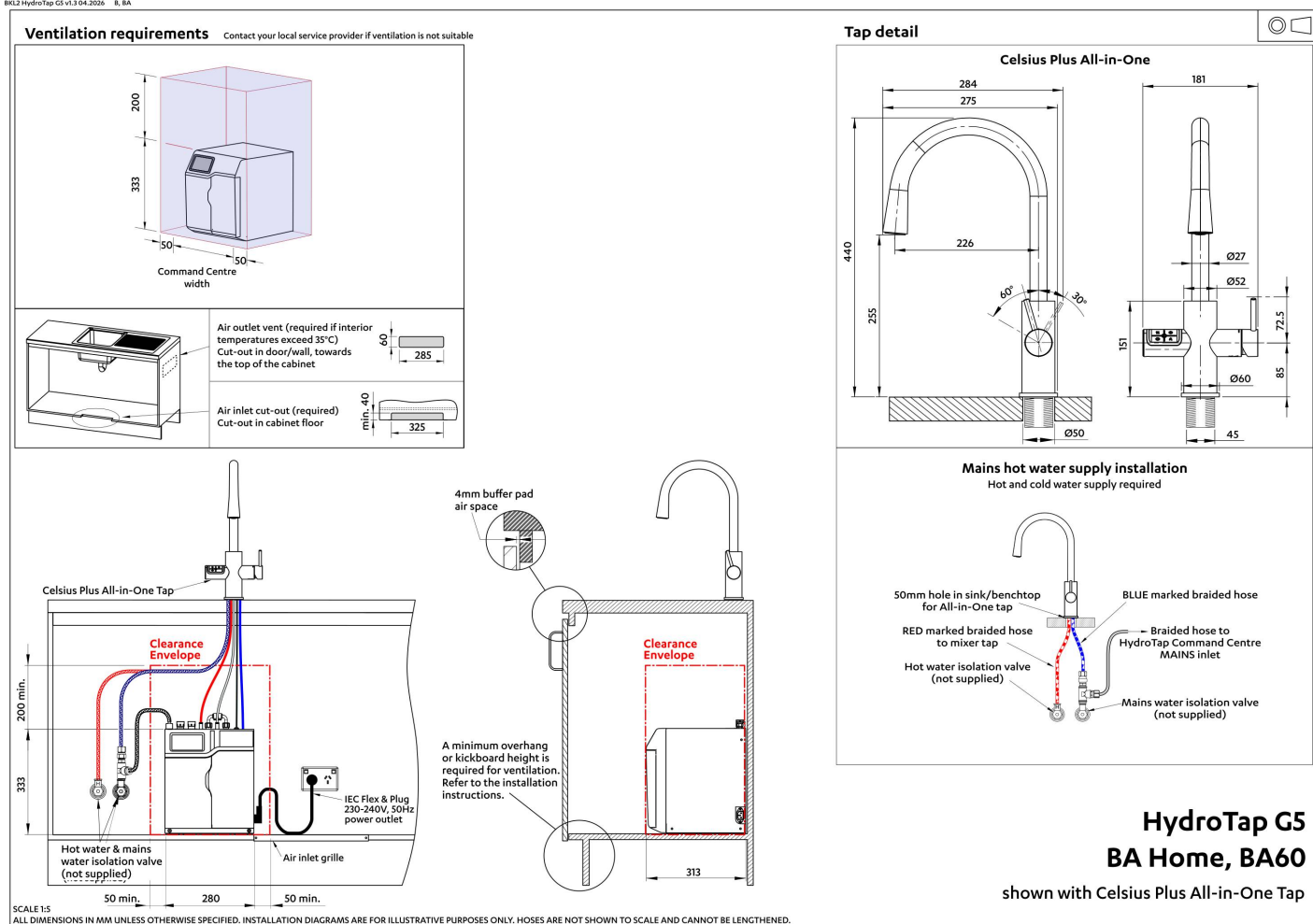
Installation

Installation requirements

1. Installation and connection of your Zip HydroTap must be carried out by a Zip Certified service technician, observing national and local regulations.
2. You will require suitable mains electrical and drinking water connections, plus waste water drainage all within 1 metre of the product.
3. Zip HydroTap is air-cooled so discrete cabinetry cut-outs are required for ventilation.
4. Installation on most bench tops is straightforward however some stone bench tops may require a specialised cutting service.
5. Installation by Zip Professional Service can be arranged with a phone call or through www.zipwater.com/book-service-visit

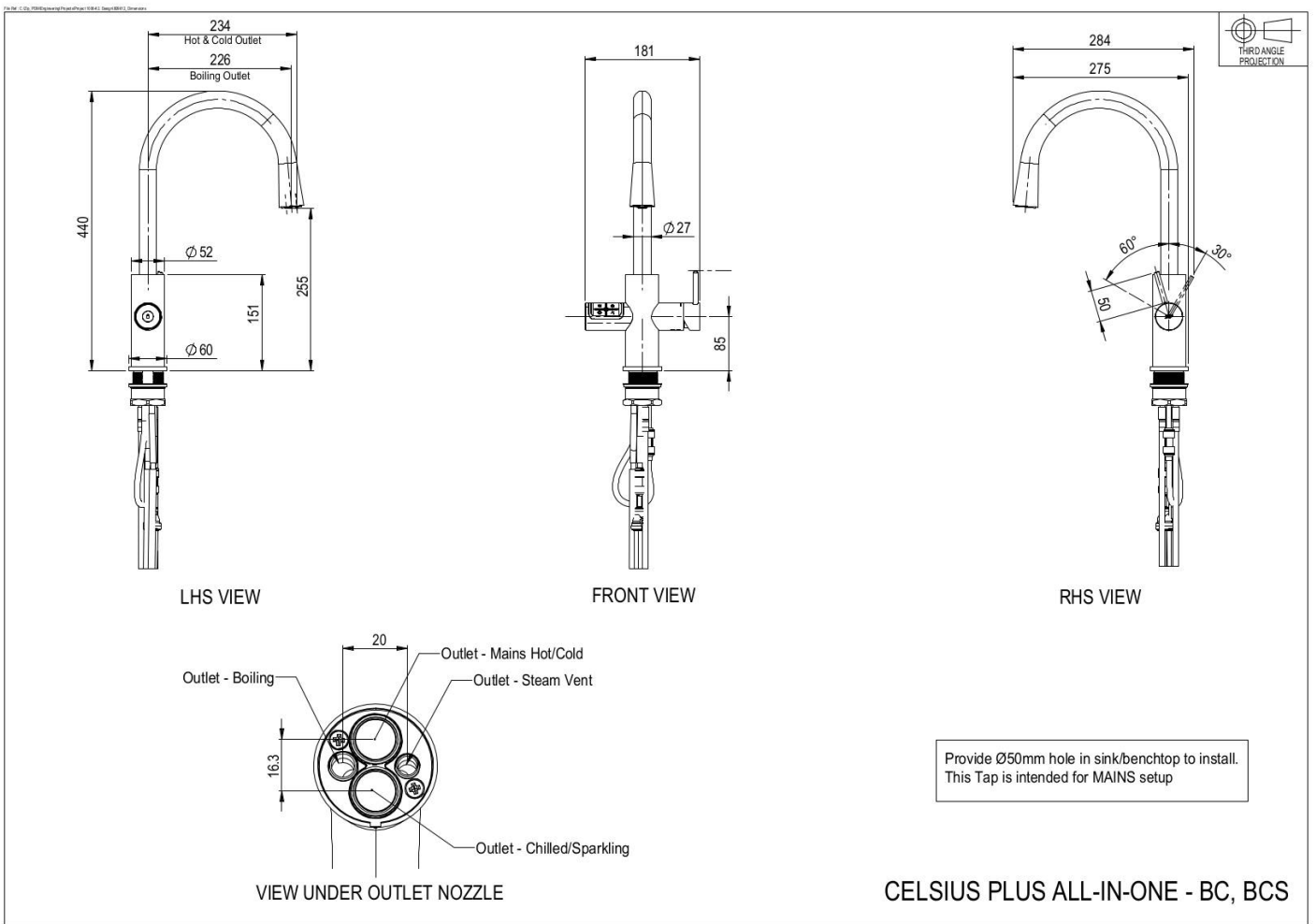
Files

8K12 HydroTap G5 v1.3 04.2026 B, BA



Installation Layout (PDF)

Tap Detail (DWG)



Tap Detail (PDF)

BIM files

LCF

ArchicAD Swift
Globals Library
(LCF)

LCF

ArchicAD Zip Water
Library (LCF)

RVT

Revit Virtual
Showroom (RVT)

Download all

Certifications



OHS
ISO 45001



Environment
ISO 14001



Quality
ISO 9001



Health & Safety
(PDF)



Environment ISO
(PDF)



Quality ISO (PDF)



Environmental
Product Declaration
Brochure (PDF)



Filter performance
(PDF)



HydroTap Clean
SDS (PDF)

Manuals & brochures



Brochure (PDF)



Quick guide (PDF)



Tap operation label
(PDF)



User manual (PDF)

Download all